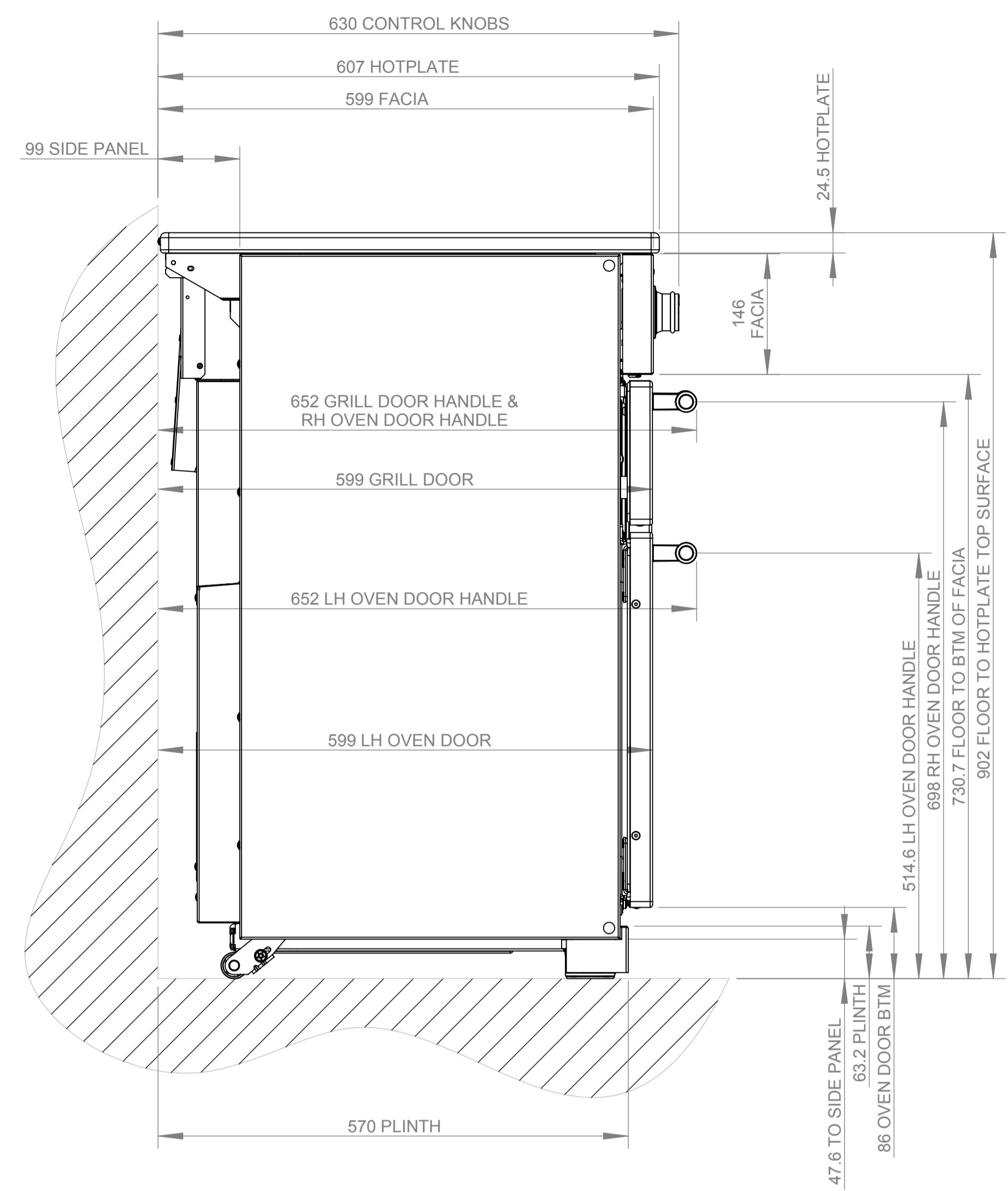
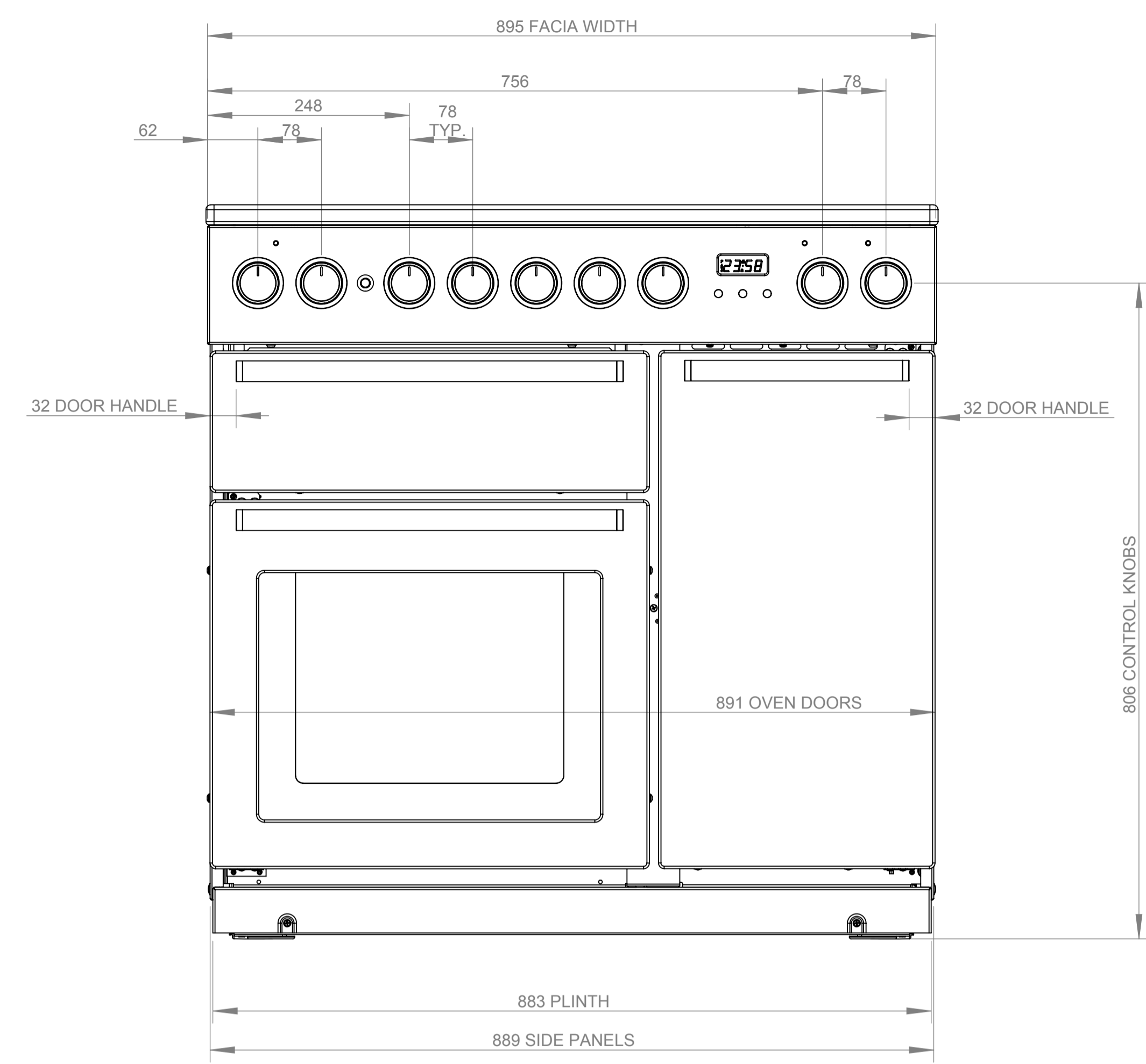


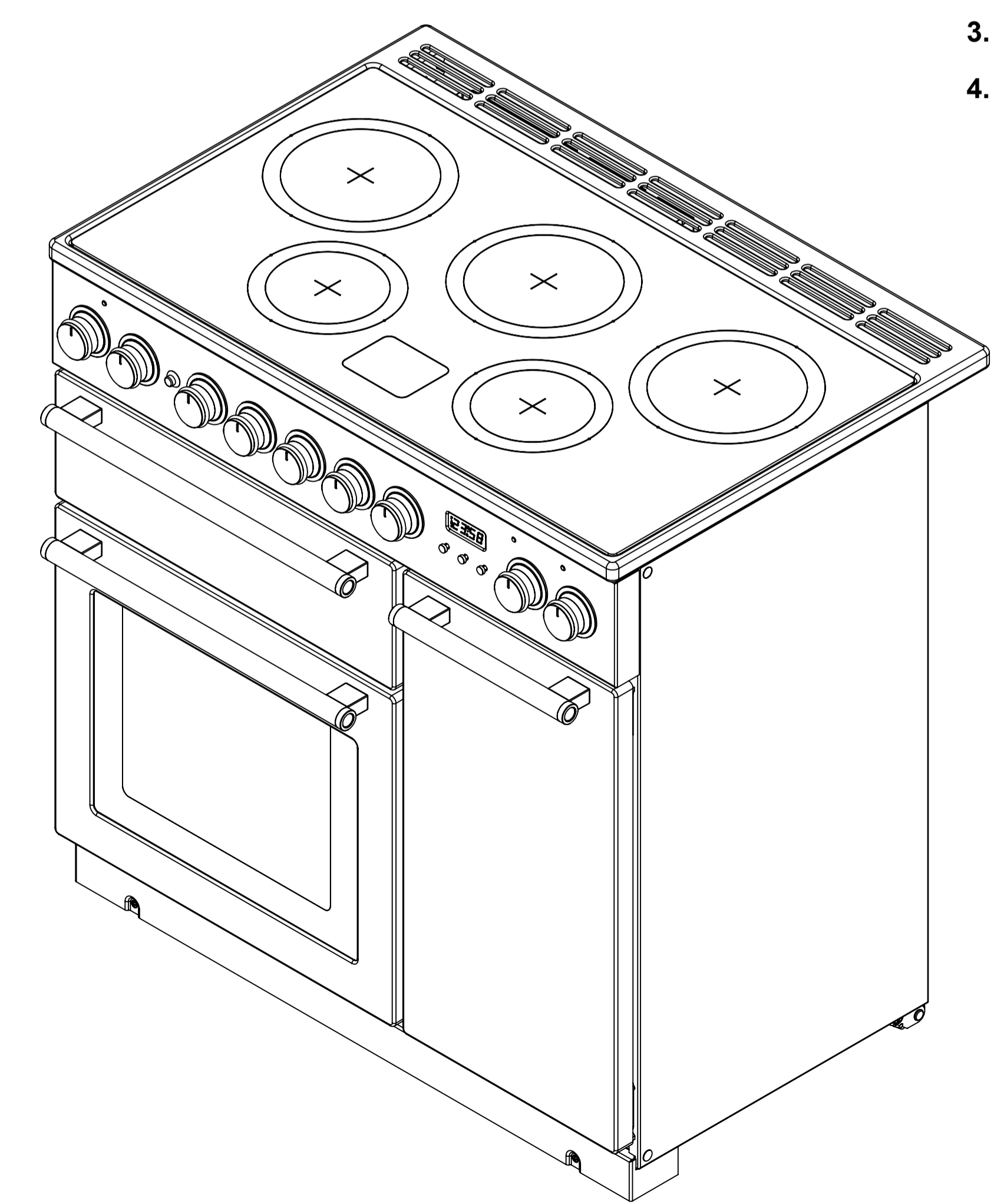
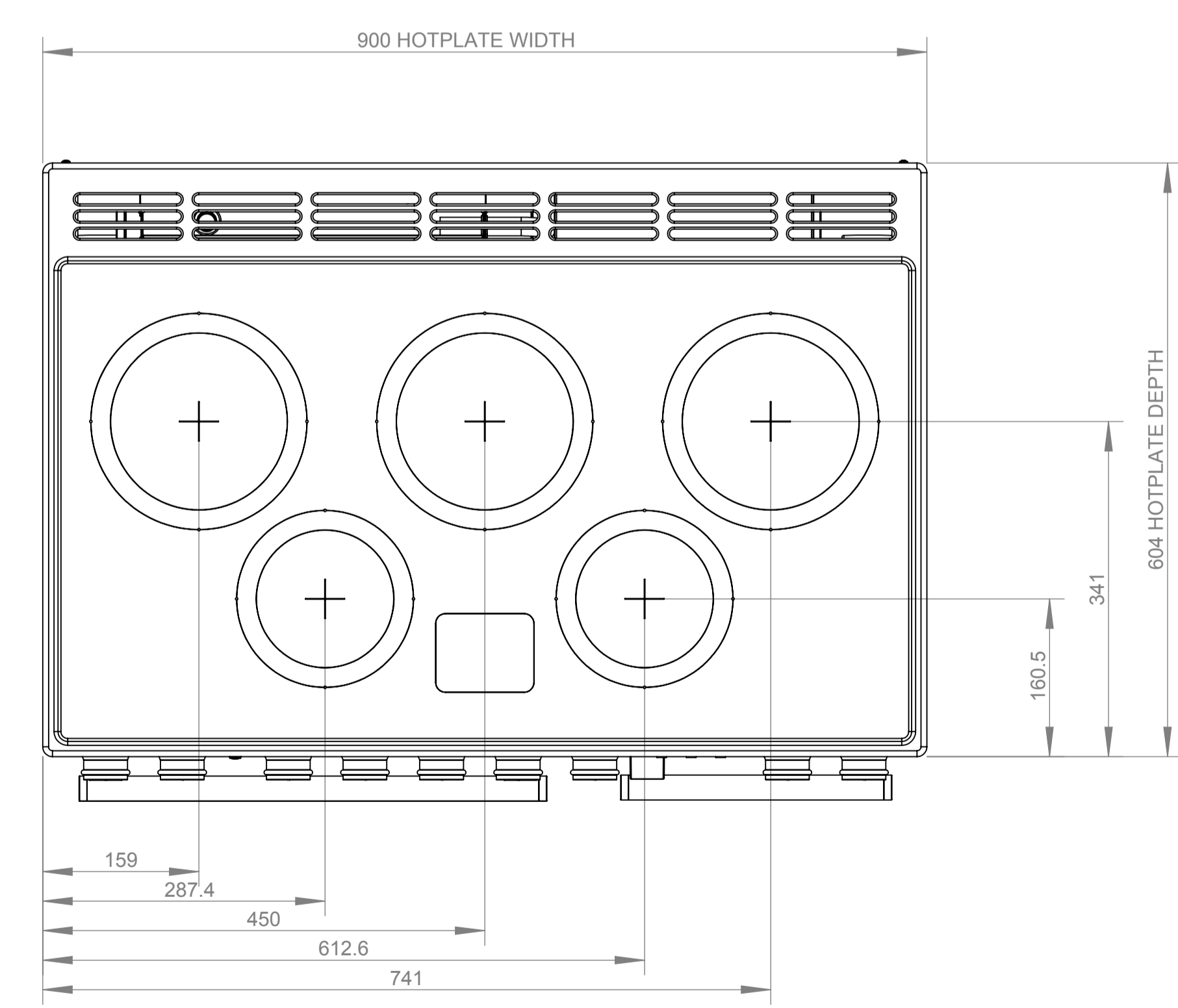
ISSUE No & DATE	DETAILS OF CHANGE, MODIFICATION RECORD NUMBER, ECR NUMBER.
01 31.10.14	PRODUCTION ISSUE DES GRP 2014 - AWC



ITEM NO.	PART NUMBER	DESCRIPTION	STOCK SIZE	QTY.
1	a061775	CORE ASSEMBLY NEXUS 90 IND		1
2	a051794	HOB AND IHE ASSEMBLY 90cm COMPLETE		1
3	a062701	CONTROL PANEL ASSY 90 DF BLACK		1
4	a061804	DOOR SIDE SET 90 IND BLK		1
5	q061855	PLINTH 90		1
6	p061894	Knob Assy		9
7	a061805	OVEN ACCESSORIES NEXUS 90 IND		1

10482	NEXUS 90 IND UK	INDUCTION	BLACK	UK	30/10/13
10618	NEXUS 90 IND UK	INDUCTION	SLATE	UK	20/02/14
10619	NEXUS 90 IND UK	INDUCTION	STAINLESS STEEL	UK	20/02/14
10620	NEXUS 90 IND UK	INDUCTION	WHITE	UK	20/02/14

- NOTES:**
- ALL DIMENSIONS ARE NOMINAL & ROUNDED TO THE NEAREST WHOLE NUMBER, UNLESS SHOWN OTHERWISE.
 - ALL HEIGHT DIMENSIONS ARE BASED ON THE COOKER BEING SET AT ITS LOWEST LEVEL (IE. *902 DIMENSION), THEY WILL CHANGE ACCORDINGLY WITH THE AMOUNT OF HEIGHT ADJUSTMENT.
 - FOR DOCUMENTATION PURPOSES THE COOKER IS HEIGHT ADJUSTABLE AS DETAILED IN OBP.
 - THIS DRAWING IS FOR REFERENCE PURPOSES ONLY. A 'PDF' COPY OF THIS DRAWING FORMS PART OF THE 'APPLIANCE PRODUCT SPECIFICATION' HELD ON THE 'COMMON' DRIVE. CHANGES TO THIS DRAWING REQUIRE THE 'PDF' FILE TO BE UPDATED.



AGA Rangemaster
 Clarence Street, Royal Leamington Spa
 Warwickshire CV31 2AD, United Kingdom
 Telephone: 44 (0)1926 457400
 Direct Fax: 44 (0)1926 457611
 Web: www.agarangemaster.co.uk

DO NOT SCALE OR GUESS. IF IN DOUBT, ASK. ALL MATERIALS MUST COMPLY WITH RoHS & REACH.

ALL MACHINING TO BE FREE FROM BURRS. TOLERANCES UNLESS OTHERWISE STATED:-
 ANGULAR ±30° WHOLE NUMBERS ±0.5
 LINEAR DIMENSIONS ONE DECIMAL PLACE ±0.15
 CIRCULAR HOLES ±0.15
 CNC BEND RADI 1.25 -0 +1
 CNC BEND ANGLES ±2° ALL DIMENSIONS IN MILLIMETRES

PROJECTION

A1 DRAWING BORDER CREATED 01/08/2012 BY D.J.B

MATERIAL AND FINISH SPECIFICATION

FOR ALL OTHER DETAILS AND DIMENSIONS PLEASE SEE OBP FOR 10482

THIS DRAWING IS THE PROPERTY OF RANGEMASTER AND REPRODUCTION IN WHOLE OR PART MAY NOT BE MADE WITHOUT THEIR WRITTEN CONSENT.			
DRAWN	AWC	PROJECT	ASSEMBLY
SCALE	1:10		
TITLE			
NEXUS 90 IND 10482			
PART NUMBER			
a0010482		SHEET 1 OF 1	