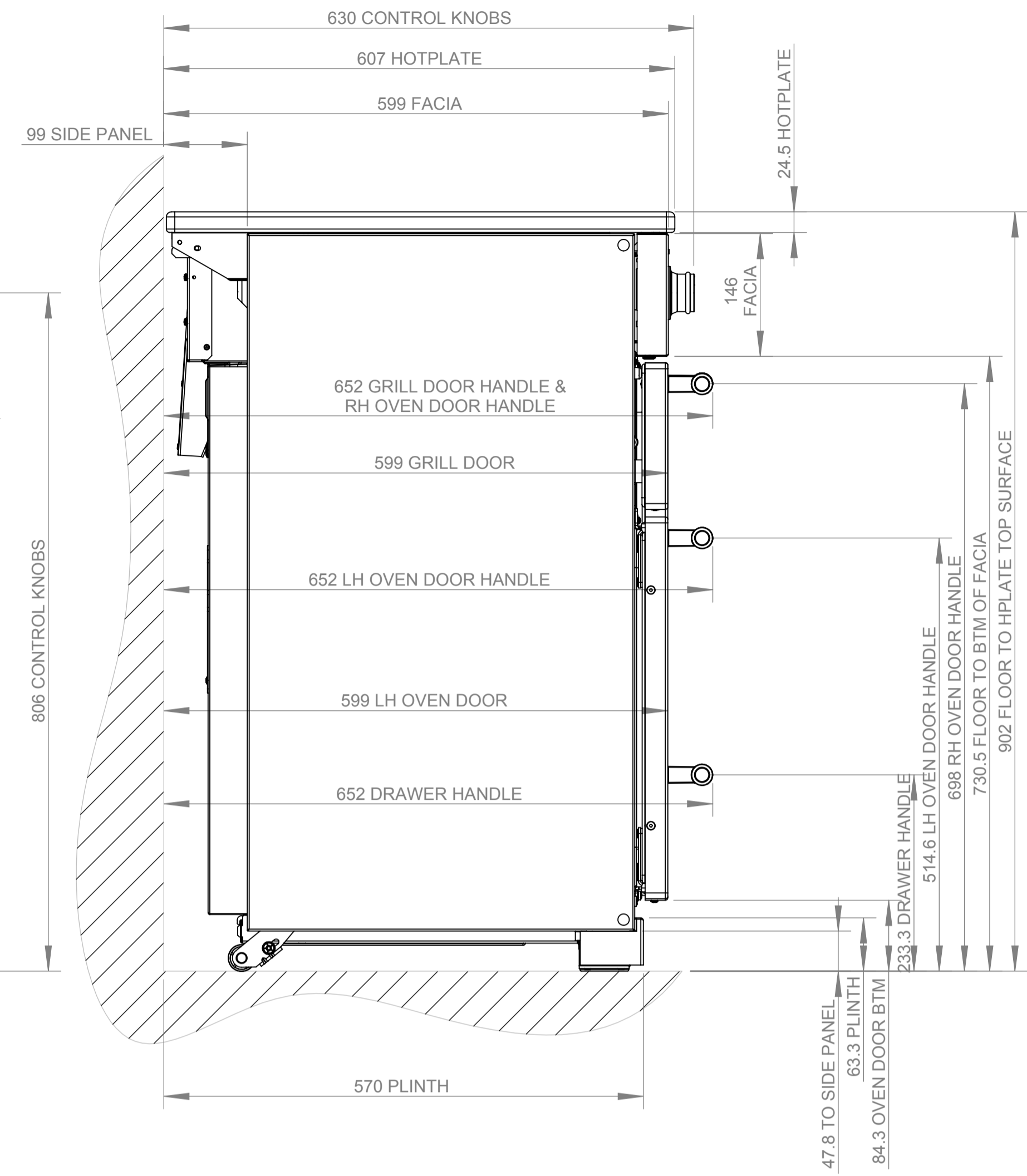
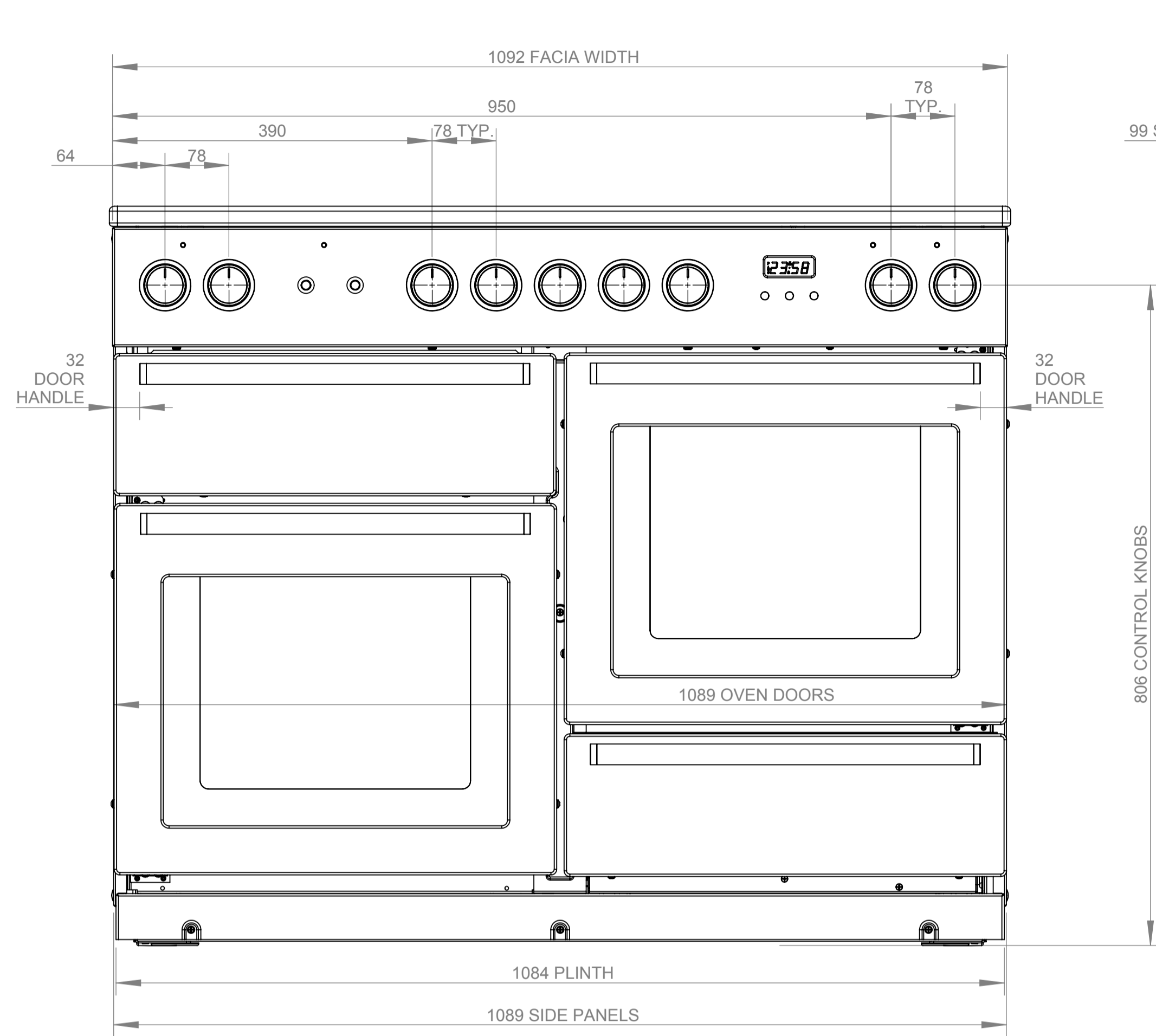


ISSUE No & DATE	DETAILS OF CHANGE, MODIFICATION RECORD NUMBER, ECR NUMBER.
01 22.09.14	PRODUCTION ISSUE DES GRP 2014 - AWC

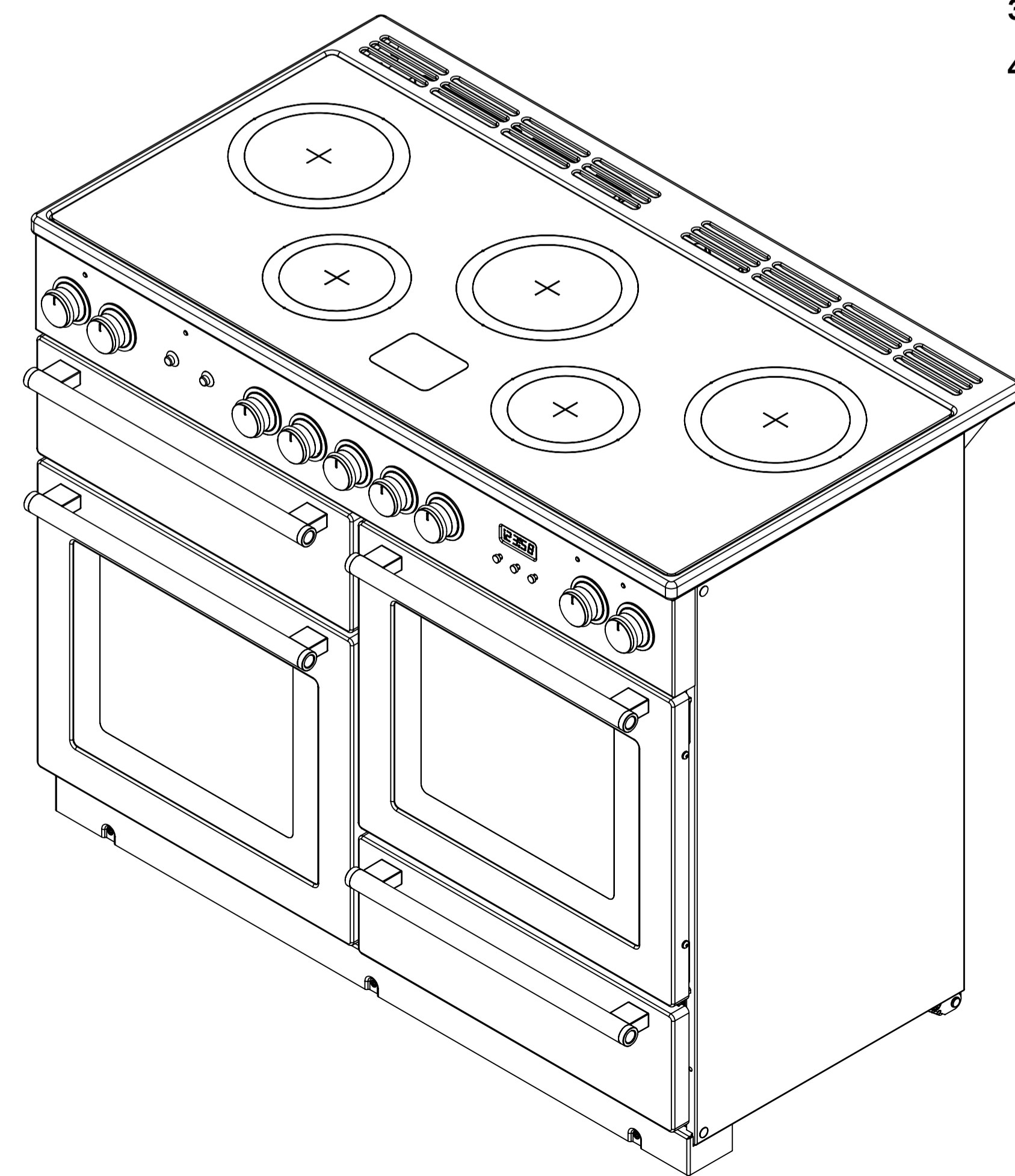
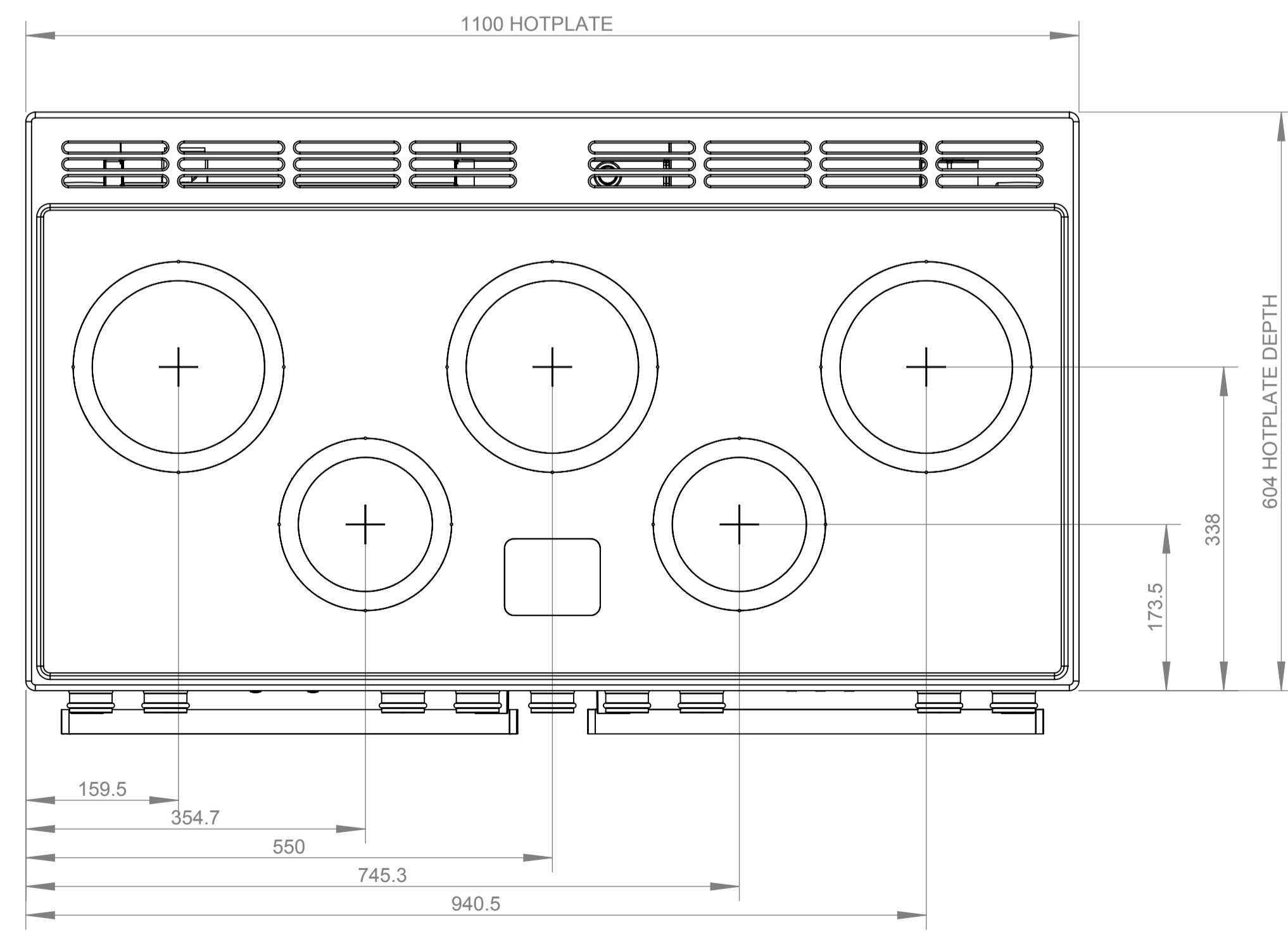


Single Level Listing

Ref Number	Part number	Revision	Description	Quantity	Remarks
001	A062874	01	CORE ASSEMBLY NEXUS 110 IND	1	-
002	A052636	03	HOTPLATE ASSY - 110 INDUCTION (G5)	1	-
003	A062941	01	FACIA ASSY 110 IND BLACK	1	-
004	A062890	01	DOOR/SIDE SET - NEXUS 110 IND BLACK	1	-
005	A062445	01	110 OVEN ACCESSORIES/GRILL	1	-
006	P061894	01	CONTROL KNOB ASSY	9	-
007	A034828	04	LABEL KIT CERAMIC	1	-
008	O061884_0401	01	PLINTH ASSY	1	-
009	A034374	01	INSTRUCTION PK IND NEXUS 110 G5	1	-
010	A063240	01	110 SHRINK WRAP PACK NEXUS	1	-
011	O0010483	01	DATA LABEL (P035648 & K004526)	1	-
012	ID0010483	01	IDENT LABEL	2	-

PROJ	DESCRIPTION	FUEL	COLOUR	COUNTRY	DATE
10483	NEXUS 110 IND UK	INDUCTION	BLACK	UK	04/11/13
10615	NEXUS 110 IND UK	INDUCTION	SLATE	UK	20/02/14
10616	NEXUS 110 IND UK	INDUCTION	STAINLESS STEEL	UK	20/02/14
10617	NEXUS 110 IND UK	INDUCTION	WHITE	UK	20/02/14

- NOTES:**
1. ALL DIMENSIONS ARE NOMINAL & ROUNDED TO THE NEAREST WHOLE NUMBER, UNLESS SHOWN OTHERWISE.
 2. ALL HEIGHT DIMENSIONS ARE BASED ON THE COOKER BEING SET AT ITS LOWEST LEVEL (IE. *902 DIMENSION), THEY WILL CHANGE ACCORDINGLY WITH THE AMOUNT OF HEIGHT ADJUSTMENT.
 3. FOR DOCUMENTATION PURPOSES THE COOKER IS HEIGHT ADJUSTABLE AS DETAILED IN OBP.
 4. THIS DRAWING IS FOR REFERENCE PURPOSES ONLY. A 'PDF' COPY OF THIS DRAWING FORMS PART OF THE 'APPLIANCE PRODUCT SPECIFICATION' HELD ON THE 'COMMON' DRIVE. CHANGES TO THIS DRAWING REQUIRE THE 'PDF' FILE TO BE UPDATED.



AGA RANGEMASTER
 Clarence Street, Royal Leamington Spa
 Warwickshire CV31 2AD, United Kingdom
 Telephone: 44 (0)1926 457400
 Direct Fax: 44 (0)1926 457611
 Web: www.agarangemaster.co.uk

DO NOT SCALE OR GUESS. IF IN DOUBT, ASK. ALL MATERIALS MUST COMPLY WITH RoHS & REACH

ALL MACHINING TO BE FREE FROM BURRS.
 TOLERANCES UNLESS OTHERWISE STATED:-
 ANGULAR ±30°
 LINEAR DIMENSIONS ±0.5
 ONE DECIMAL PLACE ±0.15
 CIRCULAR HOLES ±0.15
 CNC BEND RADI ±1
 CNC BEND ANGLES ±2°

WHOLE NUMBERS ±0.5
 ALL DIMENSIONS IN MILLIMETRES

PROJECTION

A1 DRAWING BORDER CREATED 01/08/2012 BY D.J.B

MATERIAL AND FINISH SPECIFICATION

FOR ALL OTHER DETAILS AND DIMENSIONS PLEASE SEE OBP FOR 10483

THIS DRAWING IS THE PROPERTY OF RANGEMASTER AND REPRODUCTION IN WHOLE OR PART MAY NOT BE MADE WITHOUT THEIR WRITTEN CONSENT.			
DRAWN	AWC	PROJECT	ASSEMBLY
SCALE	1:5	10483	
TITLE			
NEXUS 110 IND 10483			
PART NUMBER			
a0010483		SHEET 1 OF 1	