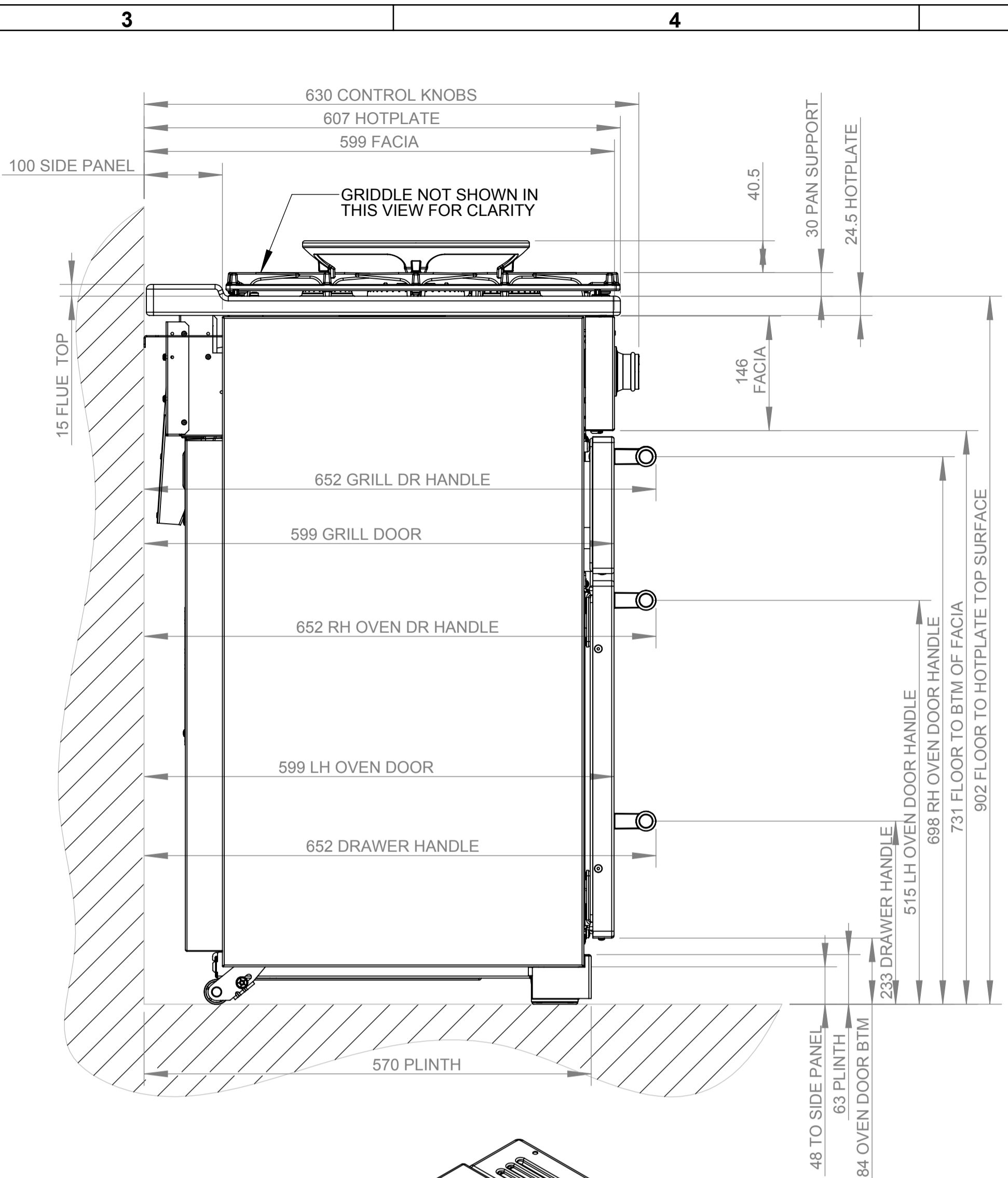
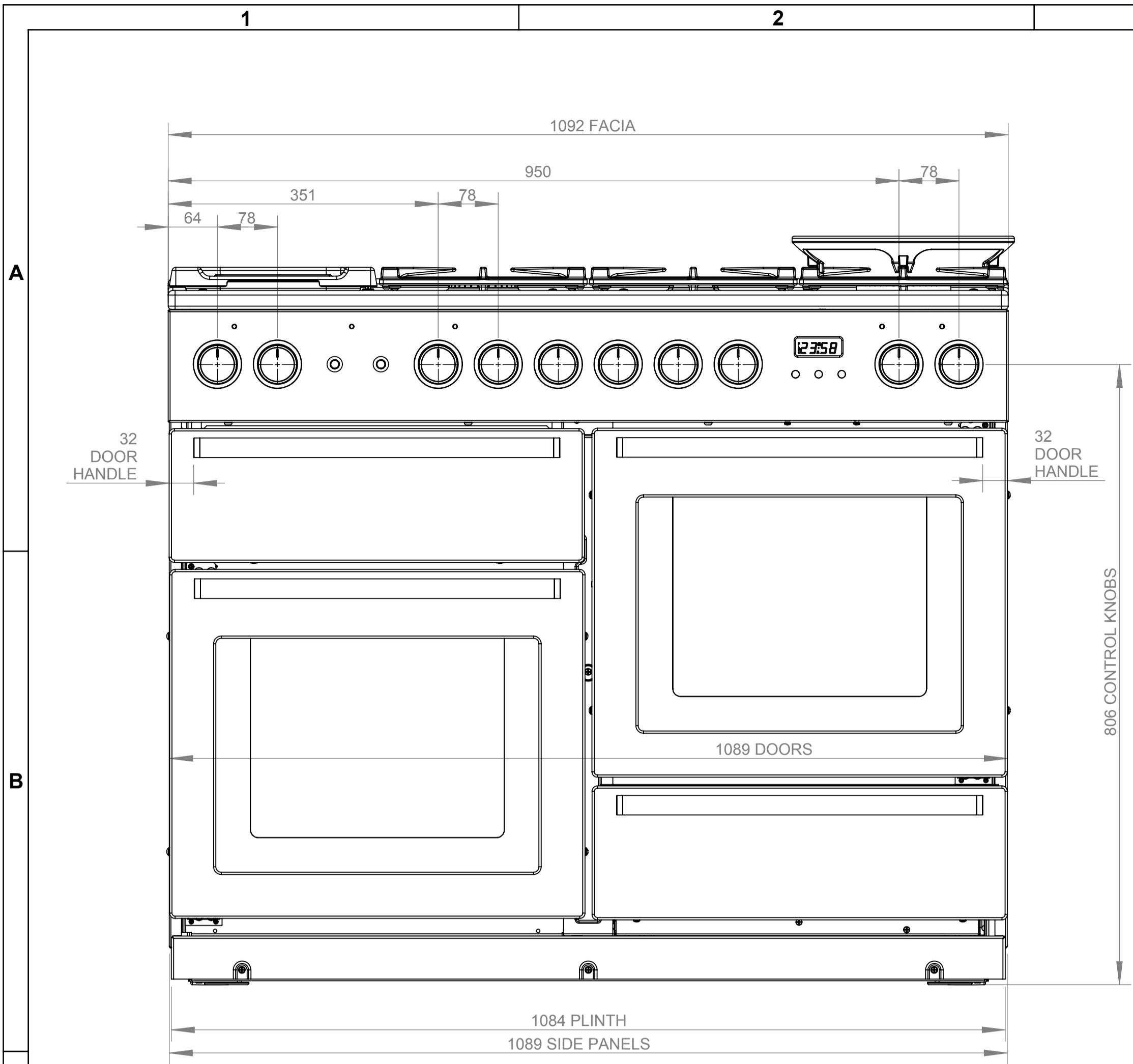


ISSUE No & DATE	DETAILS OF CHANGE, MODIFICATION RECORD NUMBER, ECR NUMBER.
01 23.05.14	PRODUCTION ISSUE DES GRP 2014 - AWC

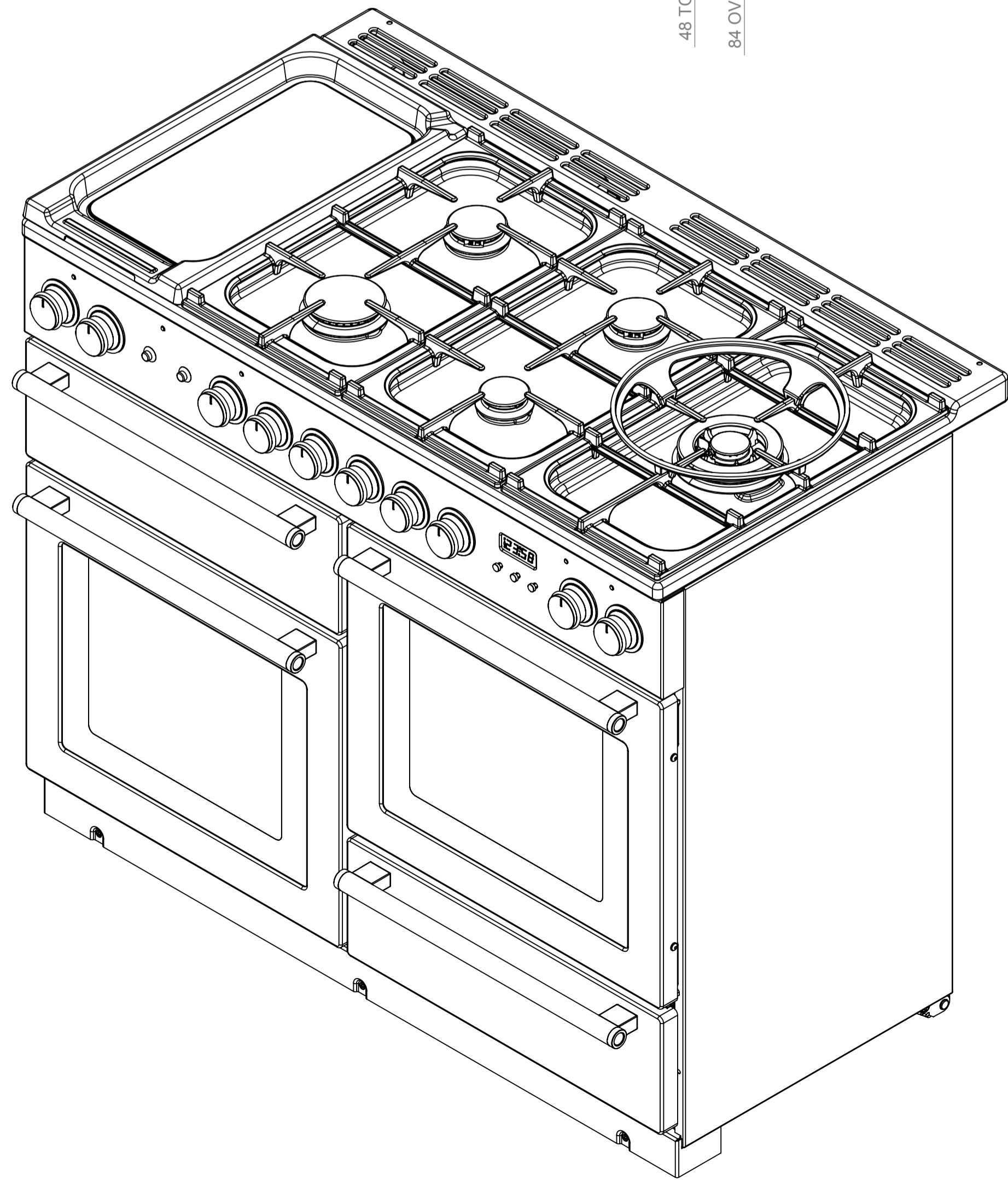
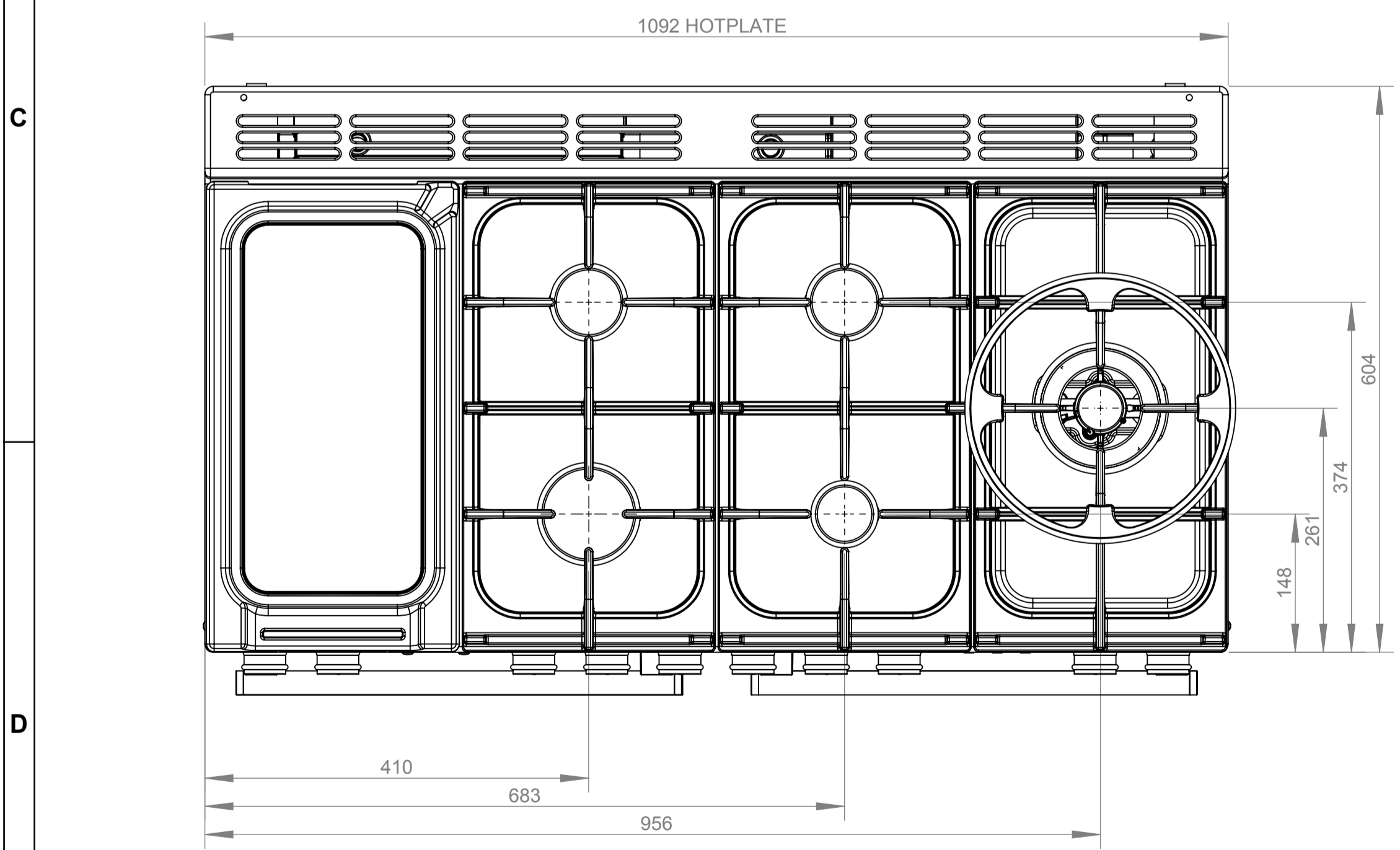


**Single Level Listing**

Ref Number	Part number	Revision	Description	Quantity	Remarks
001	A061861	02	COPE 110 DF MF ASSY	1	-
002	Q0010485	01	DATA LABEL	1	-
003	ID010485	01	IDENT LABEL	2	-
004	A062445	01	110 OVEN ACCESSORIES S/GRILL	1	-
005	A062450	02	DOOR/SIDE SET - NEXUS 110 BLACK	1	-
006	A062460	01	MATT TOP SET MULTIZONE 110	1	-
007	A037563	06	RM SHRINK WRAP PACK: 1 PECE HOB	1	-
008	A034355	01	INSTRUCTION PK 110 DF NEXUS - UK/IE	1	-
009	A062456	02	CONTROL PANEL ASSY 110 DF BLACK	1	-
010	A052931	02	HOB ASSY 110	1	-
011	P061894	01	CONTROL KNOB ASSY	10	-
012	Q061884_0401	01	PLINTH ASSY	1	-
014	A034830	01	110 MF DF LABEL KIT	1	-
015	P098451	03	WOK STAND (TYPHOON 14" ONLY)	1	-
016	P038240	03	CLASSIC DL GRIDDLE COMMON	1	-

PROJ	DESCRIPTION	FUEL	COLOUR	COUNTRY	DATE
10485	NEXUS 110 DF UK	DF/NG	BLACK	UK	04/11/13
10809	NEXUS 110 DF UK	DF/NG	SLATE	UK	20/02/14
10810	NEXUS 110 DF UK	DF/NG	STAINLESS STEEL	UK	20/02/14
10611	NEXUS 110 DF UK	DF/NG	WHITE	UK	20/02/14

- NOTES:**
- ALL DIMENSIONS ARE NOMINAL & ROUNDED TO THE NEAREST WHOLE NUMBER, UNLESS SHOWN OTHERWISE.
  - ALL HEIGHT DIMENSIONS ARE BASED ON THE COOKER BEING SET AT ITS LOWEST LEVEL (IE. \*902 DIMENSION), THEY WILL CHANGE ACCORDINGLY WITH THE AMOUNT OF HEIGHT ADJUSTMENT.
  - FOR DOCUMENTATION PURPOSES THE COOKER IS HEIGHT ADJUSTABLE AS DETAILED IN OBP.
  - THIS DRAWING IS FOR REFERENCE PURPOSES ONLY. A 'PDF' COPY OF THIS DRAWING FORMS PART OF THE 'APPLIANCE PRODUCT SPECIFICATION' HELD ON THE 'COMMON' DRIVE. CHANGES TO THIS DRAWING REQUIRE THE 'PDF' FILE TO BE UPDATED.



**AGA Rangemaster**  
 Clarence Street, Royal Leamington Spa  
 Warwickshire CV31 2AD, United Kingdom  
 Telephone: 44 (0)1926 457400  
 Direct Fax: 44 (0)1926 457611  
 Web: www.agarangemaster.co.uk

**DO NOT SCALE OR GUESS. IF IN DOUBT, ASK. ALL MATERIALS MUST COMPLY WITH RoHS & REACH.**

ALL MACHINING TO BE FREE FROM BURRS.  
 TOLERANCES UNLESS OTHERWISE STATED:-  
 ANGULAR ±30°  
 LINEAR DIMENSIONS ±0.5  
 ONE DECIMAL PLACE ±0.15  
 CIRCULAR HOLES ±0.15  
 CNC BEND RADI ±1  
 CNC BEND ANGLES ±2°

WHOLE NUMBERS ±0.5  
 ONE DECIMAL PLACE ±0.15

ALL DIMENSIONS IN MILLIMETRES

A1 DRAWING BORDER CREATED 01/08/2012 BY D.J.B.

THIS DRAWING IS THE PROPERTY OF RANGEMASTER AND REPRODUCTION IN WHOLE OR PART MAY NOT BE MADE WITHOUT THEIR WRITTEN CONSENT.

DRAWN	AWC	PROJECT	ASSEMBLY
SCALE	1:10	10485	

**TITLE**  
NEXUS 110 DF 10485

**PART NUMBER**  
a0010485

SHEET 1 OF 1