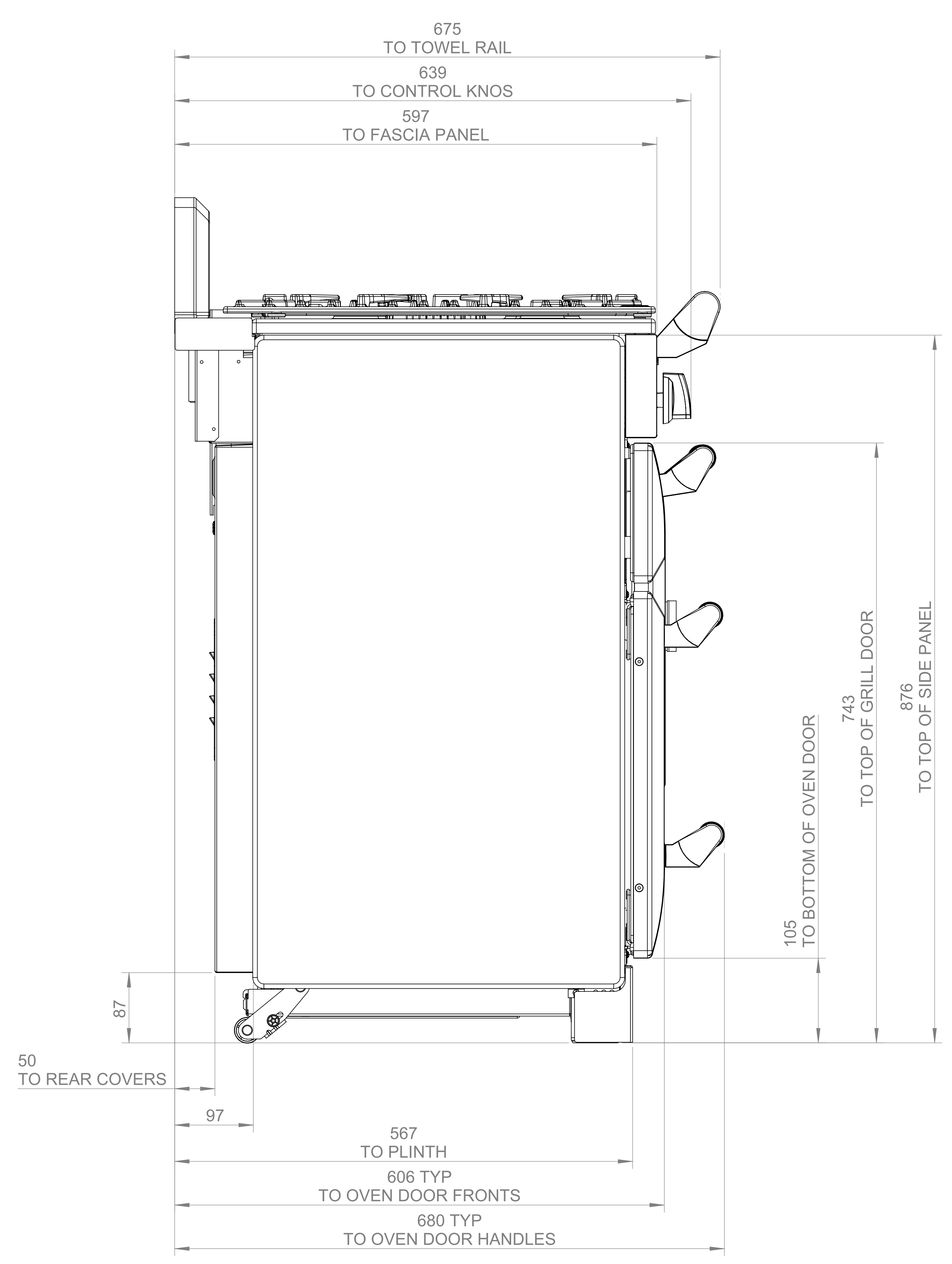
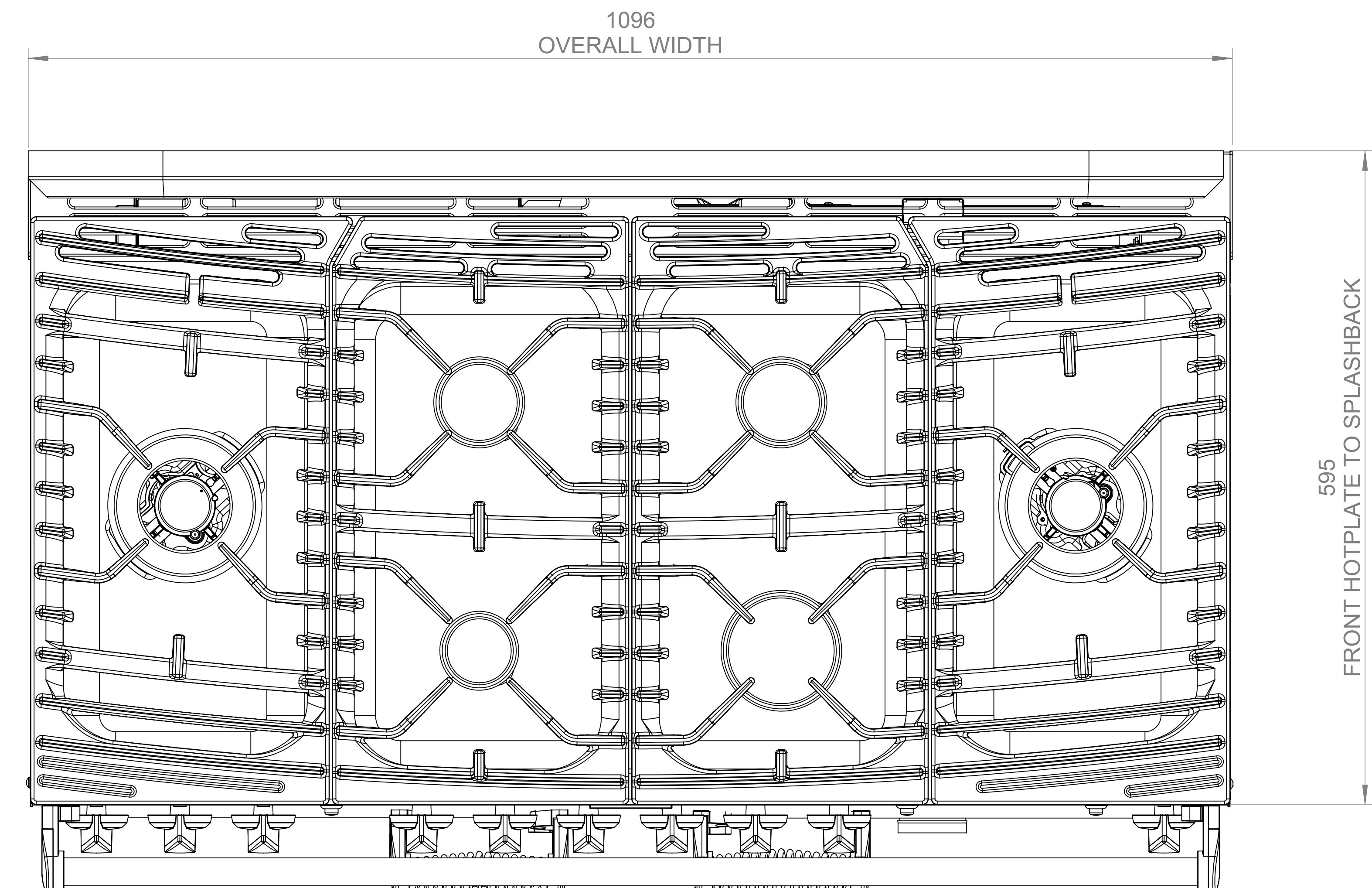
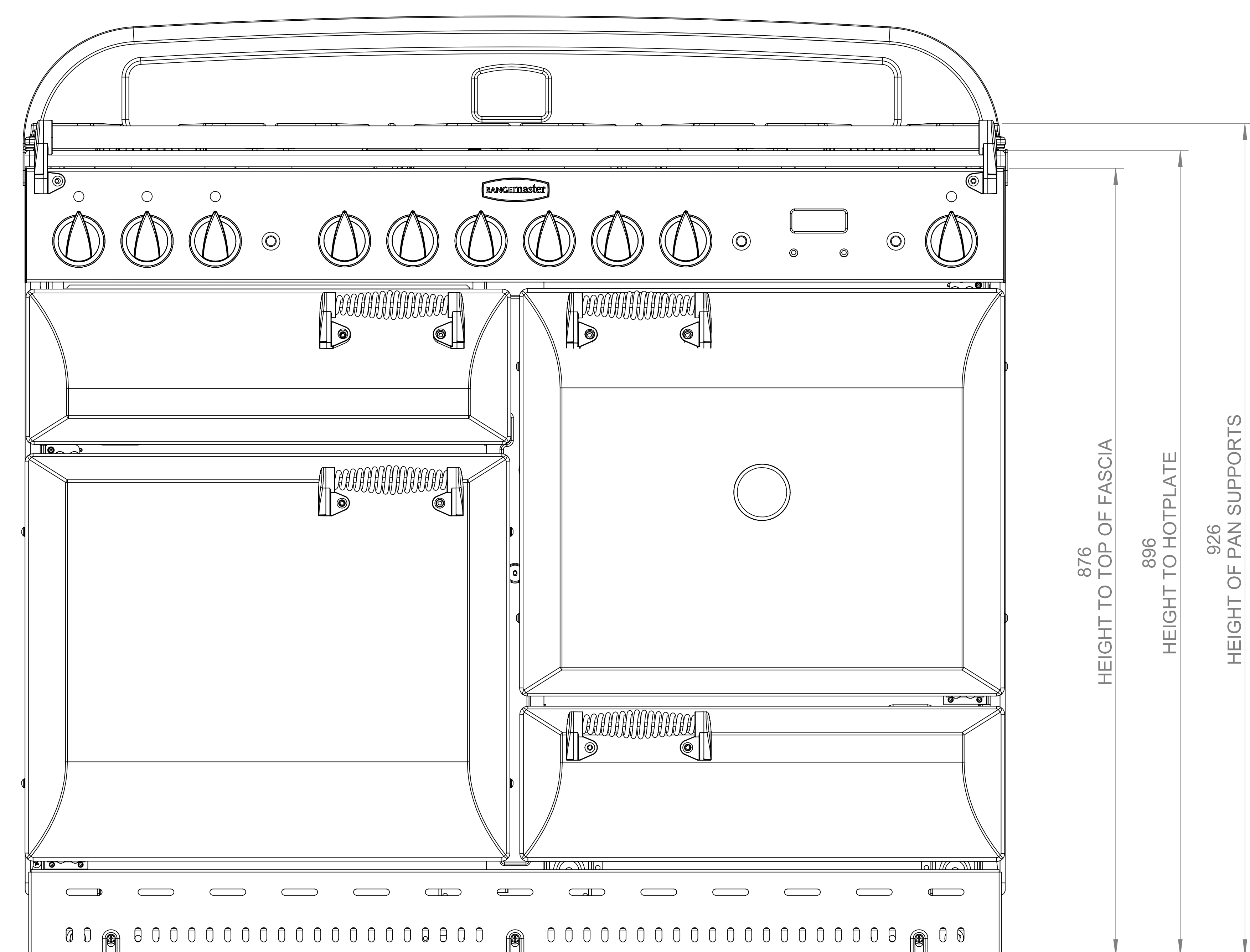


ISSUE NO & DATE	DETAILS OF CHANGE, MODIFICATION RECORD NUMBER	
A 21.08.14	NEW DRAWING	CA

A
B
C
D
E
F



NOTES
 ALL DIMENSIONS ARE NOMINAL AND ROUNDED TO NEAREST WHOLE NUMBER
 ALL HEIGHT DIMENSIONS ARE WITH ADJUSTMENT SET TO LOWEST LEVEL
 PRODUCT HEIGHT CAN BE ADJUSTED BY UPTO 25mm

AGA RANGEMaster
 Clarence Street, Royal Leamington Spa
 Warwickshire CV31 2AD, United Kingdom
 Telephone: 44 (0)1926 457400
 Direct Fax: 44 (0)1926 457611
 Web: www.agarangemaster.co.uk

**DO NOT SCALE OR GUESS. IF IN DOUBT, ASK.
 ALL MATERIALS MUST COMPLY WITH RoHS & REACH**

ALL MATCHING TO BE FREE FROM BURRS.
 TOLERANCES UNLESS OTHERWISE STATED:
 ANGULAR: ±30°
 LINEAR DIMENSIONS: WHOLE NUMBERS ±0.5
 ONE DECIMAL PLACE ±0.15
 CIRCULAR HOLES ±0.15
 CHC BEND RADII 1.25-2
 CHC BEND ANGLES ±2°

PROJECTION:

ALL DIMENSIONS IN MILLIMETRES

AG DRAWING BORDER CREATED 01/08/2012 BY DLB

PLOT SCALE = 70%
 MATERIAL AND FINISH SPECIFICATION

NOT APPLICABLE

THIS DRAWING IS THE PROPERTY OF RANGEMASTER AND REPRODUCTION IN WHOLE OR PART MAY NOT BE MADE WITHOUT THEIR WRITTEN CONSENT.		
DRAWN CA	PROJECT 7322	ASSEMBLY
SCALE 1:3		
TITLE ELAN 110 DUAL FUEL		
PART NUMBER A007322		