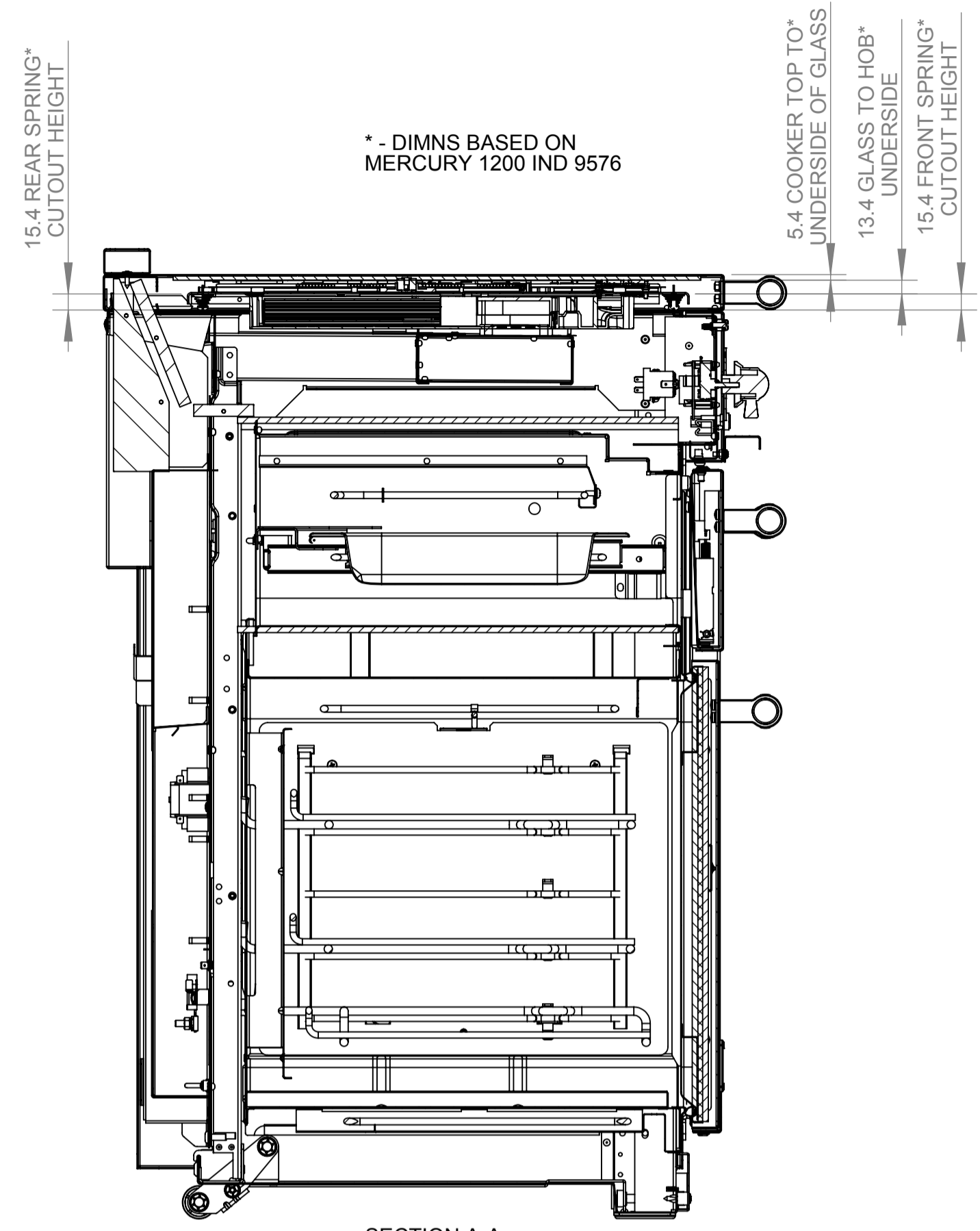
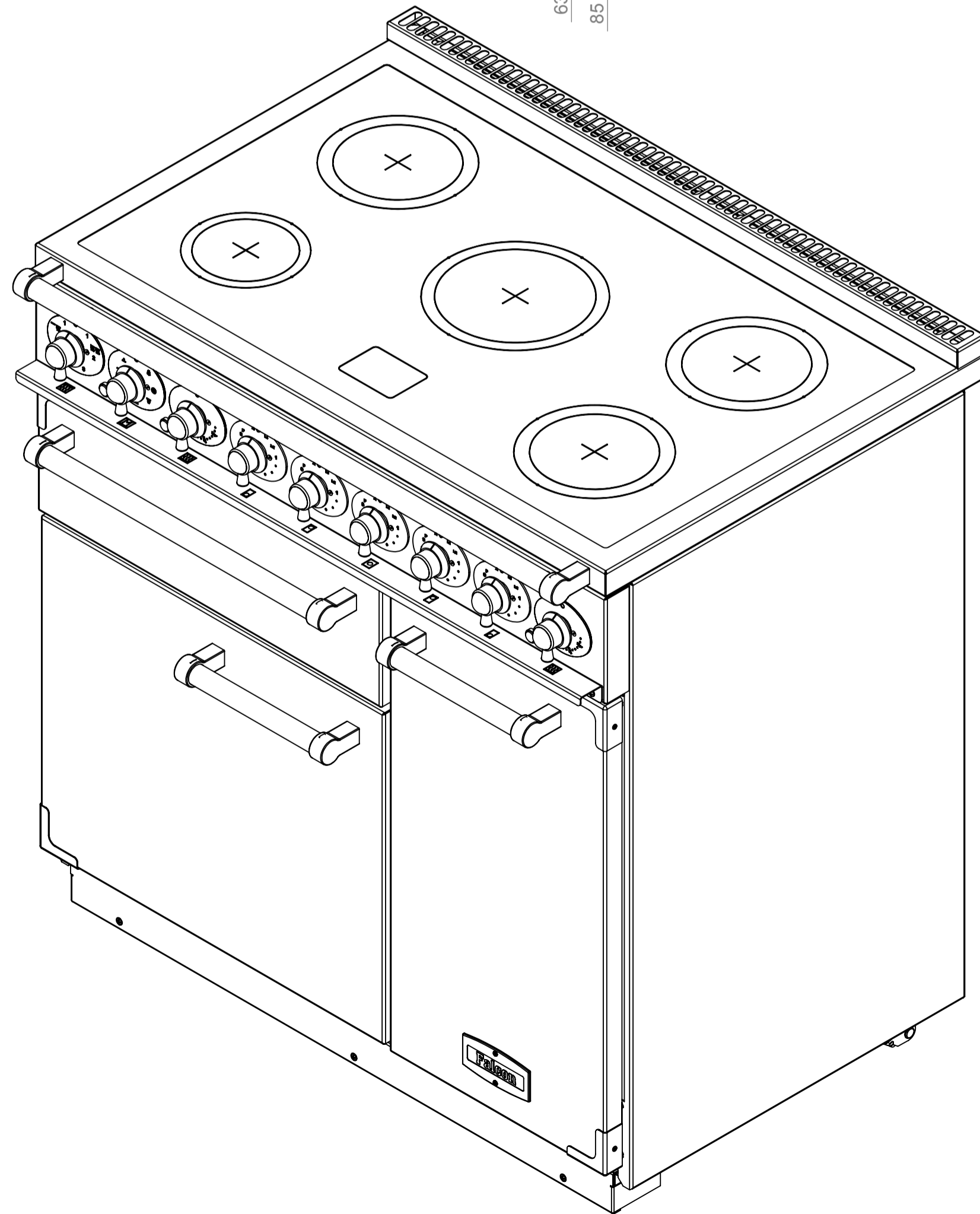
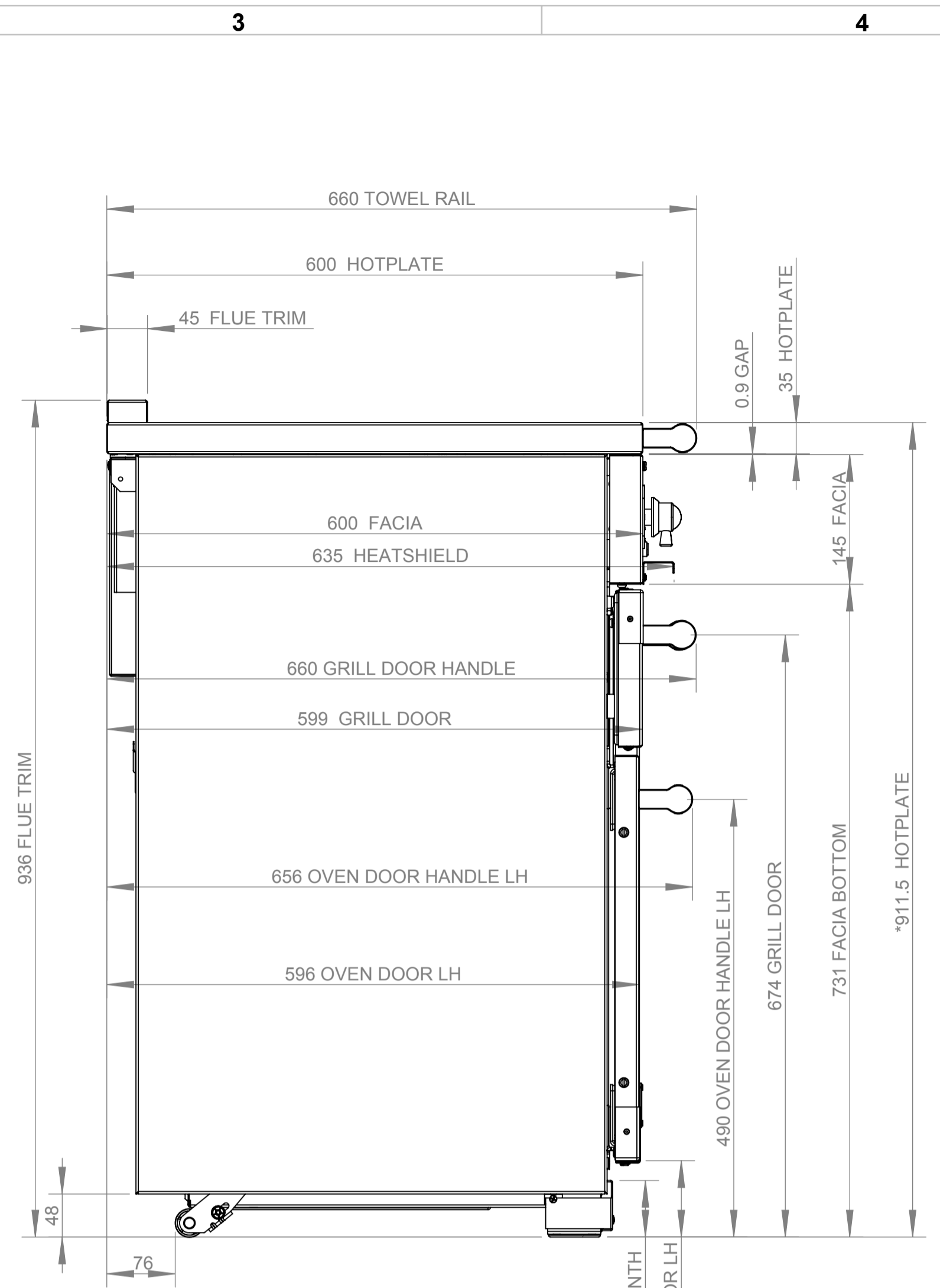
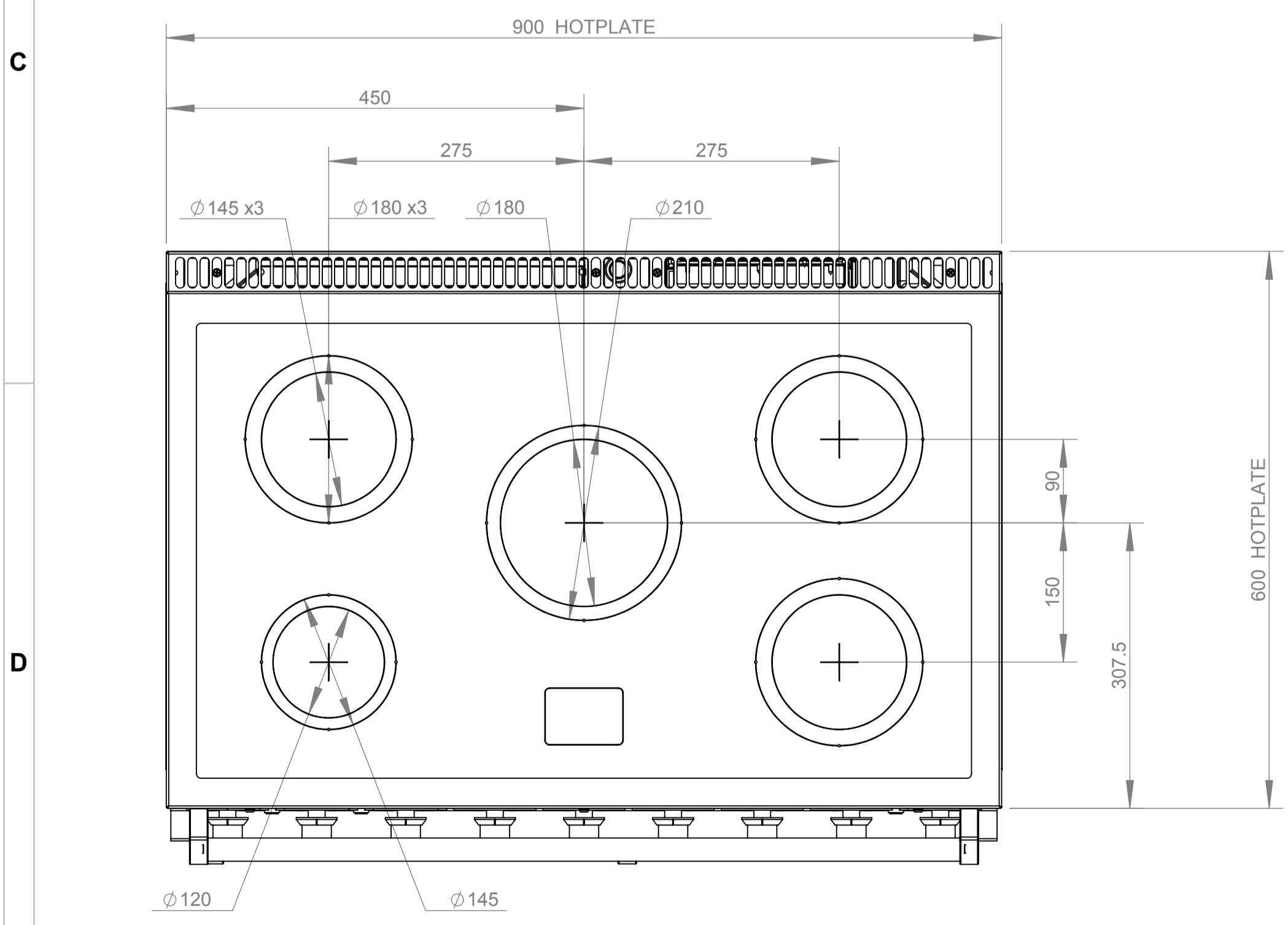
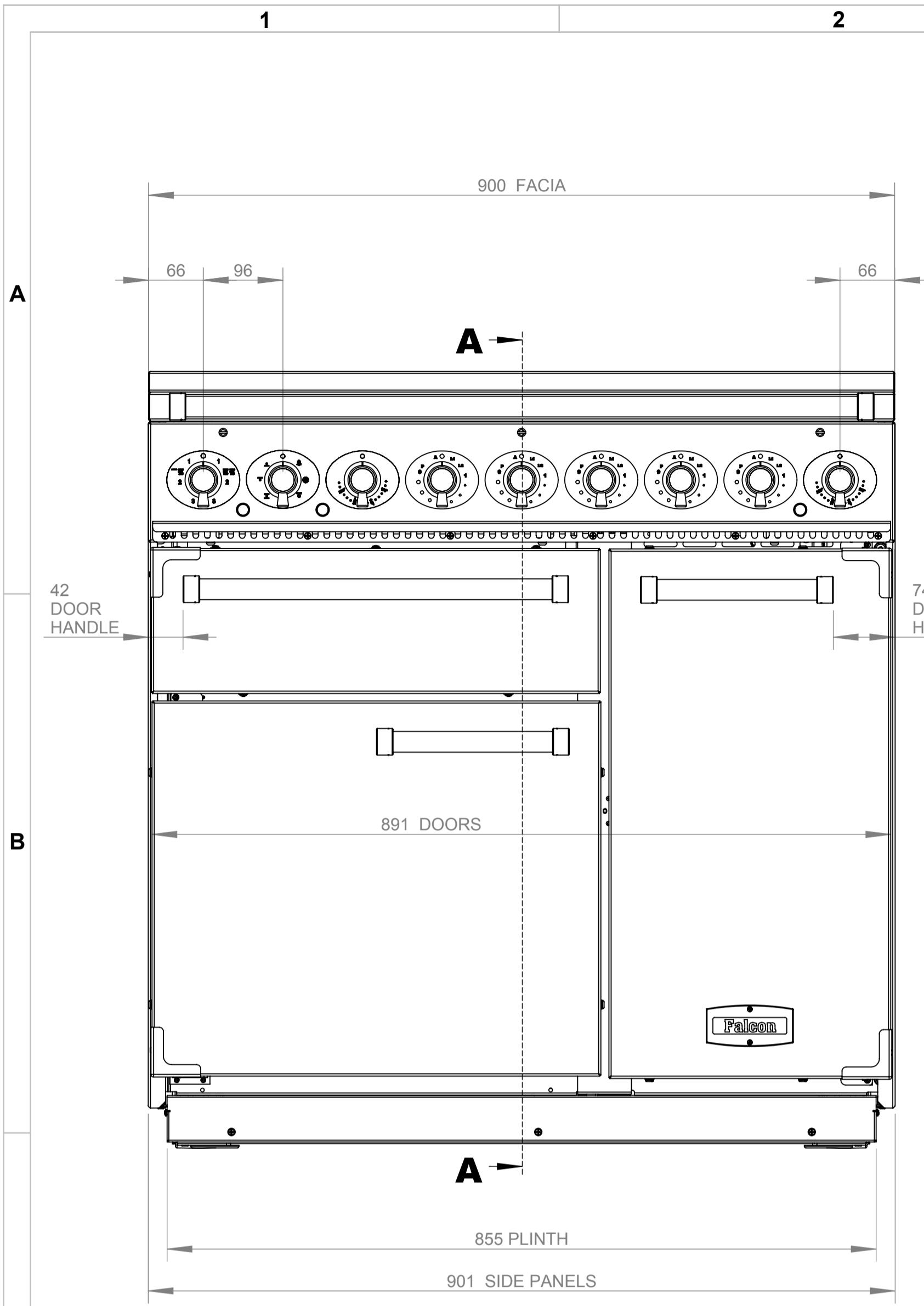


ISSUE No & DATE	DETAILS OF CHANGE, MODIFICATION RECORD NUMBER, ECR NUMBER.
04 05.06.13	ISSUE FOR REFERENCE ONLY AWC
04A 11.2.14	ADDITIONAL DIMENSIONS ADDED FOR MASTER SPEC. INFORMATION SHEET
006 27.02.14	DIM'S 48 & 76 ADDED DJB



Single Level Listing

Ref Number	Part number	Revision	Description	Quantity	Remarks
001	A060585	02	CORE ASSY 900 INDUCTION	1	
002	Q008139	02	DATA LABEL (P035648 - K004526)	1	
003	ID08139	02	IDENT LABEL	2	
004	A060587	01	HOB FRAME ASSY INDUCTION CHROME	1	
005	A060590	01	FACIA ASSEMBLY 900 - ST.ST CHROME	1	
006	A060594	02	DOOR & SIDE SET 900 INDUCTION SS CH	1	
007	A043554	01	OVENGRILL FURNITURE SET	1	
008	A043555	01	STYLING KIT 900 INDUCTION CHROME	1	
009	A043861	02	LABEL KIT FALCON INDUCTION	1	
010	A043445	01	INSTRUCTION PACK	1	
011	A043596	03	SHRINK WRAP PACK FAL 900 DL INDUCTN	1	
999	Q000000	ND	END OF ASSEMBLY	0	

- NOTES:**
1. ALL DIMENSIONS ARE NOMINAL & ROUNDED TO THE NEAREST WHOLE NUMBER, UNLESS SHOWN OTHERWISE.
 2. ALL HEIGHT DIMENSIONS ARE BASED ON THE COOKER BEING SET AT ITS LOWEST LEVEL (IE. *911.5 DIMENSION), THEY WILL CHANGE ACCORDINGLY WITH THE AMOUNT OF HEIGHT ADJUSTMENT.
 3. FOR DOCUMENTATION PURPOSES THE COOKER IS HEIGHT ADJUSTABLE FROM 910 TO 930
 4. THIS DRAWING IS FOR REFERENCE PURPOSES ONLY. A 'PDF' COPY OF THIS DRAWING FORMS PART OF THE 'APPLIANCE PRODUCT SPECIFICATION' HELD ON THE 'COMMON' DRIVE. CHANGES TO THIS DRAWING REQUIRE THE 'PDF' FILE TO BE UPDATED.

AGA Rangemaster
 Clarence Street, Royal Leamington Spa
 Warwickshire CV31 2AD, United Kingdom
 Telephone: 44 (0)1926 457400
 Direct Fax: 44 (0)1926 457611
 Web: www.agarangemaster.co.uk

DO NOT SCALE OR GUESS. IF IN DOUBT, ASK. ALL MATERIALS MUST COMPLY WITH RoHS & REACH

ALL MACHINING TO BE FREE FROM BURRS. TOLERANCES UNLESS OTHERWISE STATED:-
 ANGULAR ±30°
 LINEAR DIMENSIONS ONE DECIMAL PLACE ±0.15
 CIRCULAR HOLES ±0.15
 CNC BEND RADI 1.25 -0
 CNC BEND ANGLES ±2°

WHOLE NUMBERS ±0.5
 ONE DECIMAL PLACE ±0.15
 ALL DIMENSIONS IN MILLIMETRES

PROJECTION

A1 DRAWING BORDER CREATED 01/08/2012 BY DJB

MATERIAL AND FINISH SPECIFICATION

MATERIAL:

FINISH:

THIS DRAWING IS THE PROPERTY OF RANGEMASTER AND REPRODUCTION IN WHOLE OR PART MAY NOT BE MADE WITHOUT THEIR WRITTEN CONSENT.

DRAWN	AWC	PROJECT	ASSEMBLY
SCALE	1:5		

TITLE
FALCON 900 INDUCTION ST.CH

PART NUMBER
Q008139

SHEET 1 OF 1