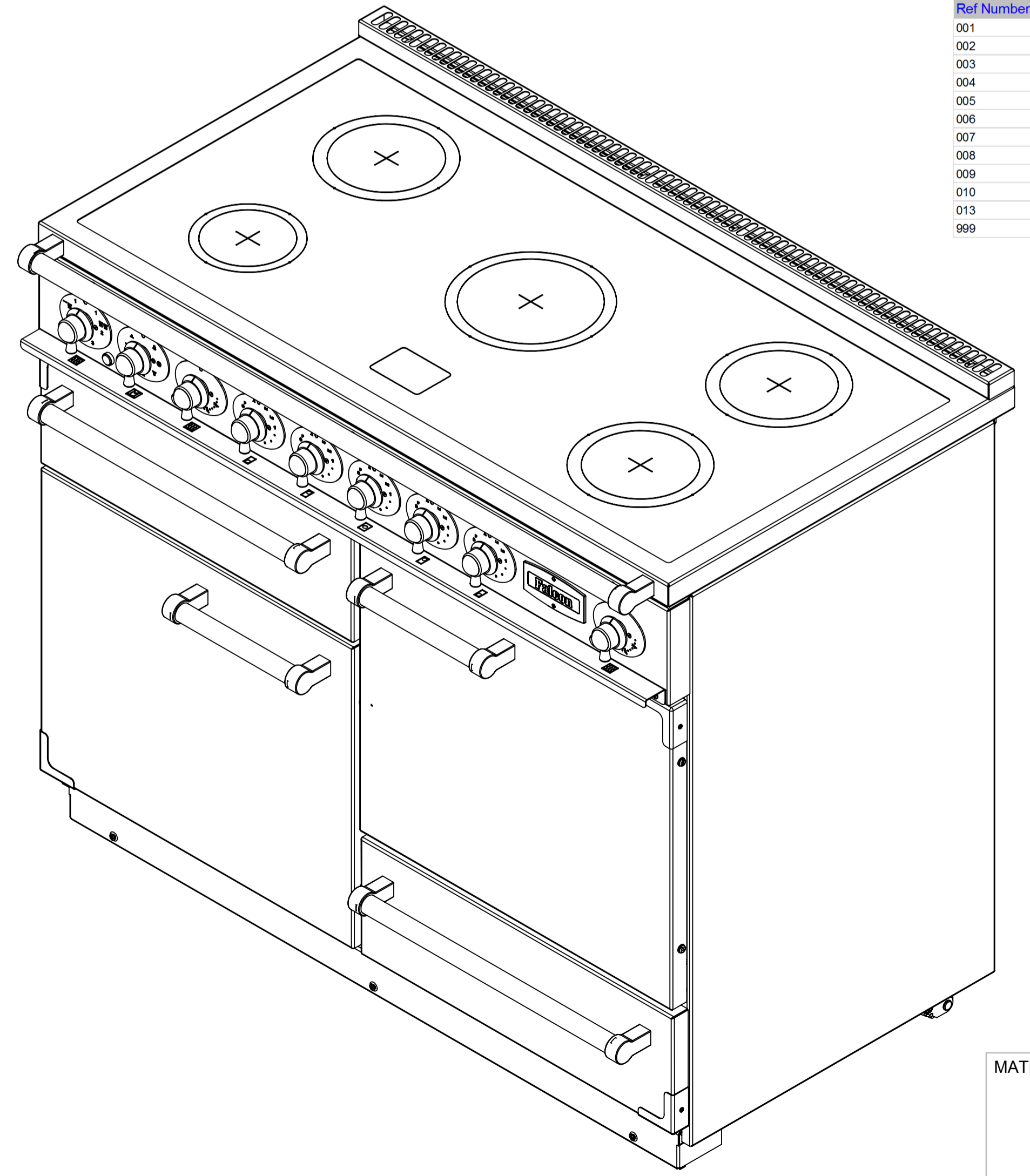
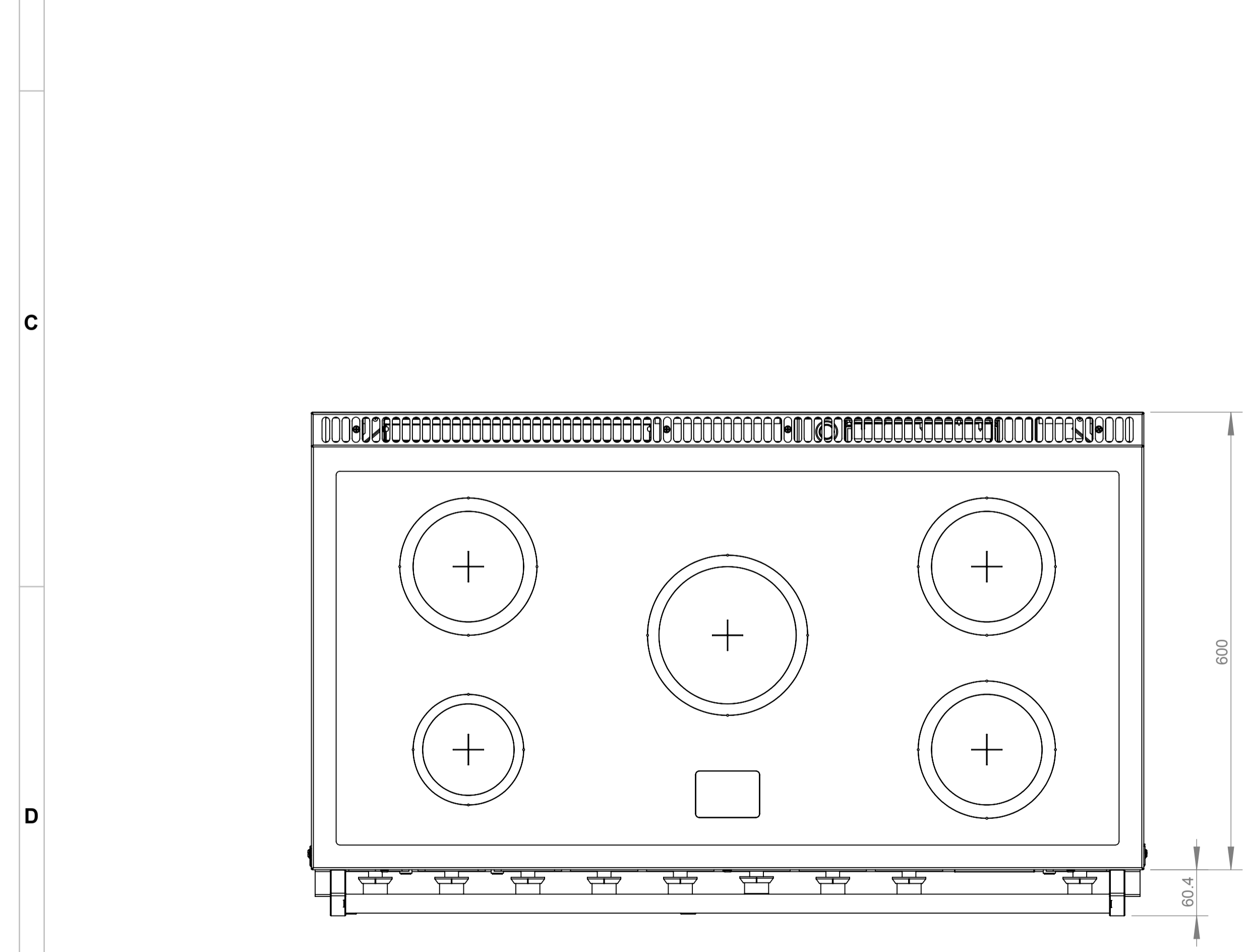


ISSUE No & DATE	DETAILS OF CHANGE, MODIFICATION RECORD NUMBER, ECR NUMBER.
05 30.01.13	PRODUCTION ISSUE - NOTE! NO DRGS FOR PREVIOUS ISSUES. AWC
06 09.12.14	OVEN CAVATIES UPDATED M140743 - AB
06A 30.10.15	DIM ADDED OVER SCREWS DJB

Assembly	: A008140	FALCON 1092 DL INDUCTION S/ST CHR G5	S.M. No. :
Issue	: 06		Date : 09/12/2014

Ref Number	Part number	Revision	Description	Quantity	Remarks
001	A059311	05	CORE ASSEMBLY 1092 INDUCTION	1	CAD MODELLED
002	ID08140	04	IDENTIFICATION LABEL	2	
003	Q008140	04	DATA LABEL	1	
004	A059299	02	HOB FRAME ASSY INDUCTION CHROME	1	
005	A059492	01	FACIA ASSEMBLY - ST.ST CHROME	1	
006	A059689	01	DOOR & SIDE SET INDUCTION ST.ST CH	1	
007	A041663	01	STYLING KIT 1092 INDUCTION - CHROME	1	-
008	A041562	03	OVEN GRILL/DRAW FURNITURE SET	1	-
009	A034838	01	LABEL KIT CONTINENTAL CERAMIC	1	-
010	A034334	04	INSTRUCTION PACK	1	-
013	A041535	02	SHRINK WRAP PK FALCON 1092 DL INDN	1	-
999	Q000000	ND	END OF ASSEMBLY	0	-



AGA Rangemaster
 Clarence Street, Royal Leamington Spa
 Warwickshire CV31 2AD, United Kingdom
 Telephone: 44 (0)1926 457400
 Direct Fax: 44 (0)1926 457611
 Web: www.agarangemaster.co.uk

DO NOT SCALE OR GUESS. IF IN DOUBT, ASK. ALL MATERIALS MUST COMPLY WITH RoHS & REACH

ALL MACHINING TO BE FREE FROM BURRS. TOLERANCES UNLESS OTHERWISE STATED:-
 ANGULAR ±30° WHOLE NUMBERS ±0.5
 LINEAR DIMENSIONS ONE DECIMAL PLACE ±0.15
 CIRCULAR HOLES ±0.15
 CNC BEND RADI 1.25 -0 +1
 CNC BEND ANGLES ±2°

ALL DIMENSIONS IN MILLIMETRES

A1 DRAWING BORDER CREATED 01/08/2012 BY DJB

MATERIAL AND FINISH SPECIFICATION

MATERIAL: SEE BOMS
 FINISH: SEE BOMS

THIS DRAWING IS THE PROPERTY OF RANGEMASTER AND REPRODUCTION IN WHOLE OR PART MAY NOT BE MADE WITHOUT THEIR WRITTEN CONSENT.

DRAWN	PROJECT	ASSEMBLY
SCALE		

TITLE

PART NUMBER
A008140