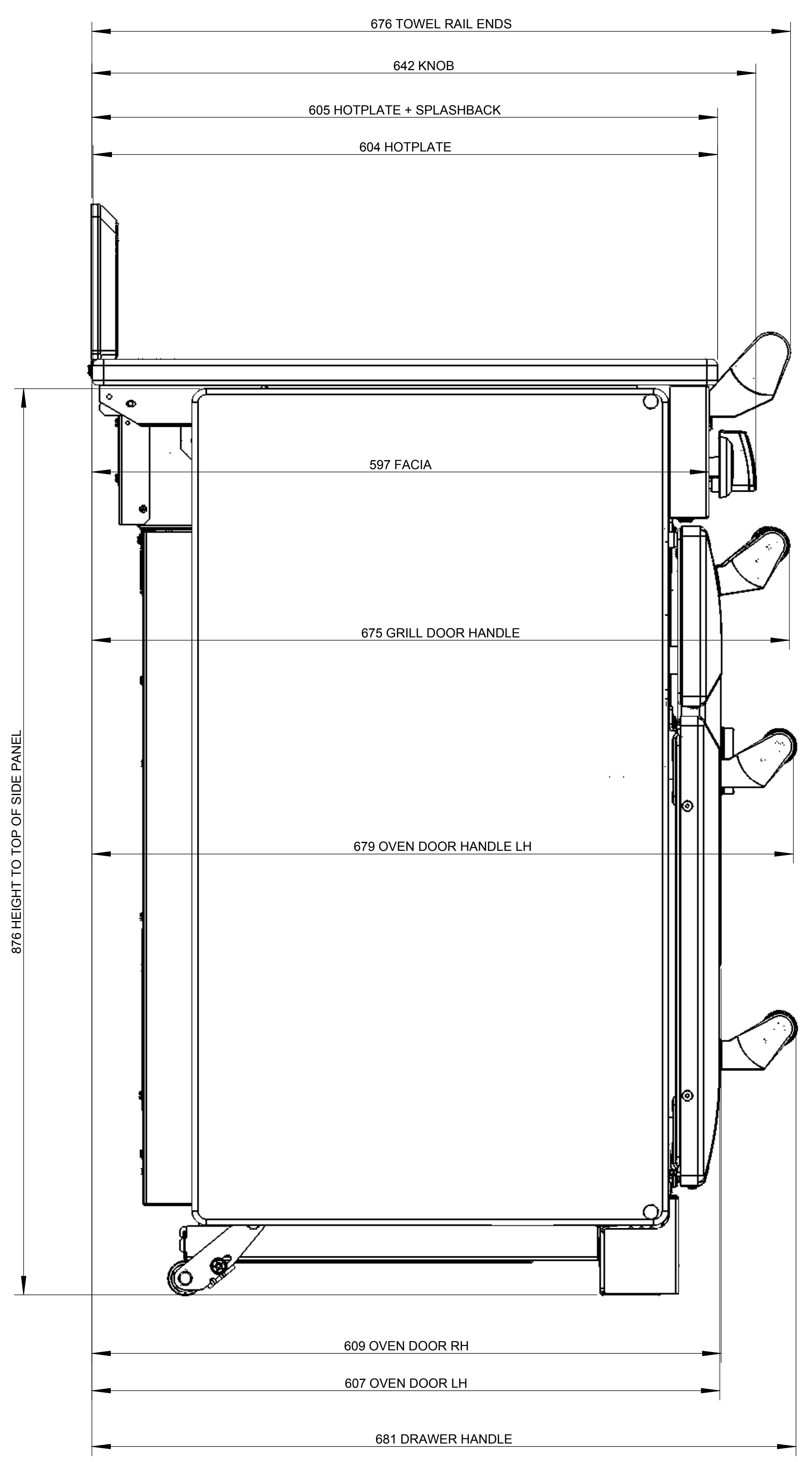
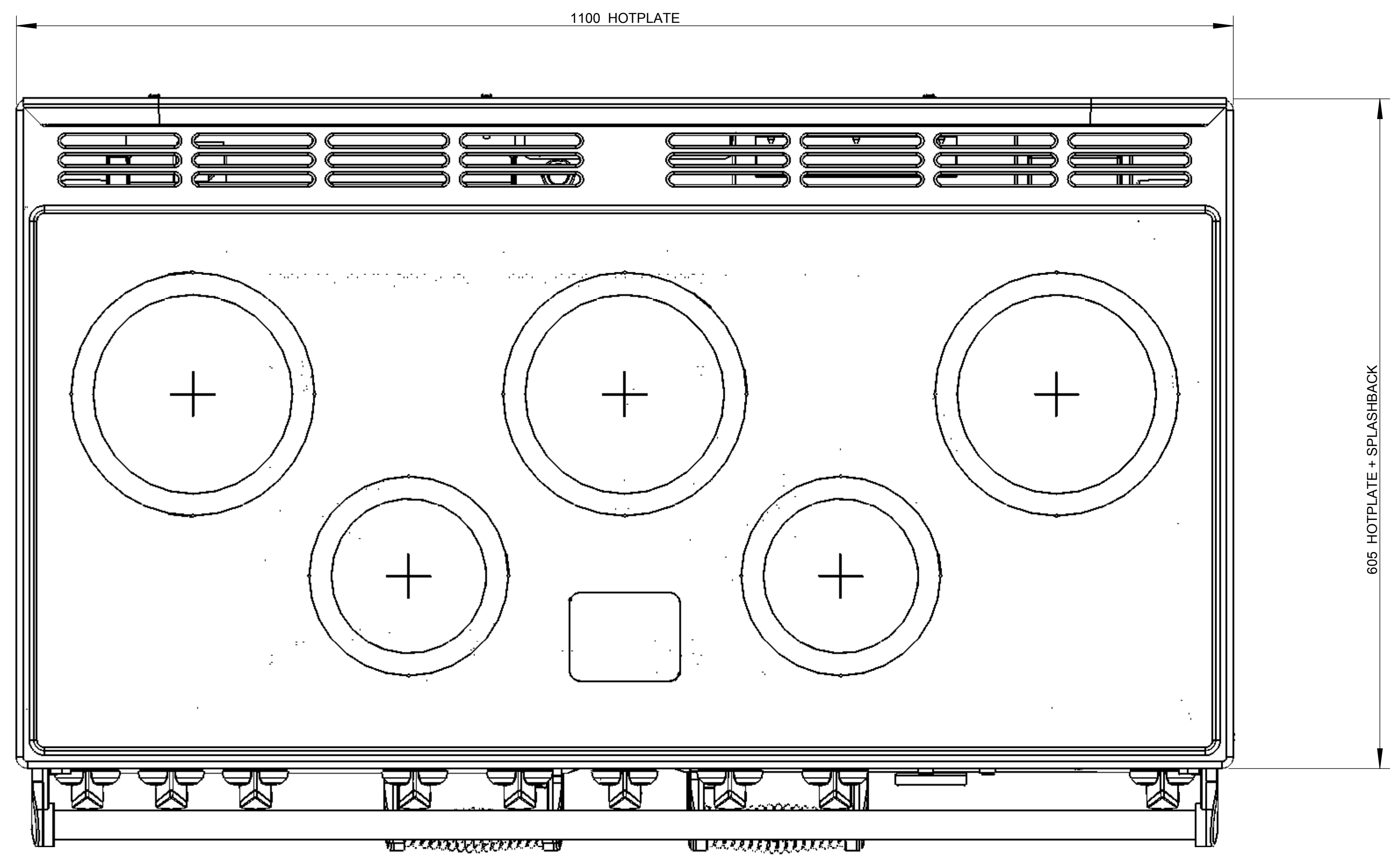
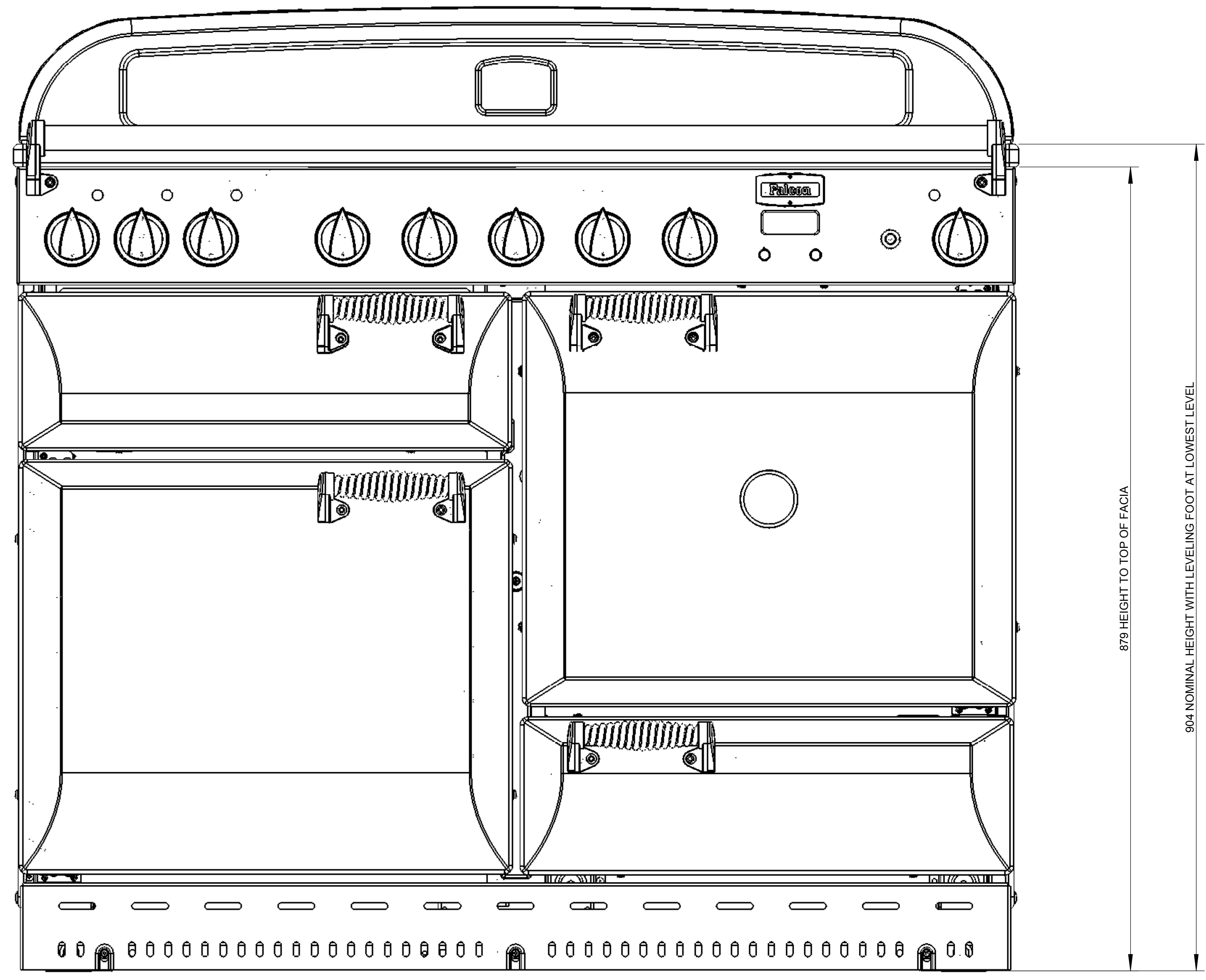


A
B
C
D
E
F



**ALL DIMENSIONS ARE NOMINAL
& ROUNDED TO NEAREST WHOLE NUMBER**

ISSUE NO & DATE	DETAILS OF CHANGE, MODIFICATION RECORD NUMBER

AGA RANGEMaster
 Clarence Street, Royal Leamington Spa
 Warwickshire CV31 2AD, United Kingdom
 Telephone: 44 (0)1926 457400
 Direct Fax: 44 (0)1926 457611
 Web: www.agarangemaster.co.uk

**DO NOT SCALE OR GUESS. IF IN DOUBT, ASK.
 ALL MATERIALS MUST COMPLY WITH RoHS & REACH**

ALL MATCHING TO BE FREE FROM BURRS.
 TOLERANCES UNLESS OTHERWISE STATED:
 ANGULAR: ±30°
 LINEAR DIMENSIONS: ONE DECIMAL PLACE ±0.15
 CIRCULAR HOLES: ±0.15
 CNC BEND RADII: 1.25-2
 CNC BEND ANGLES: ±2°

PROJECTION:

ALL DIMENSIONS IN MILLIMETRES

AG DRAWING BORDER CREATED 01/08/2012 BY DLB

PLOT SCALE = 70%
 MATERIAL AND FINISH SPECIFICATION

THIS DRAWING IS THE PROPERTY OF RANGEMASTER AND REPRODUCTION IN WHOLE OR PART MAY NOT BE MADE WITHOUT THEIR WRITTEN CONSENT.			
DRAWN	TAB	PROJECT	ASSEMBLY
SCALE	1:3	8950 G5	
TITLE ELAN 110 INDUCTION (G5)			
PART NUMBER A008950			