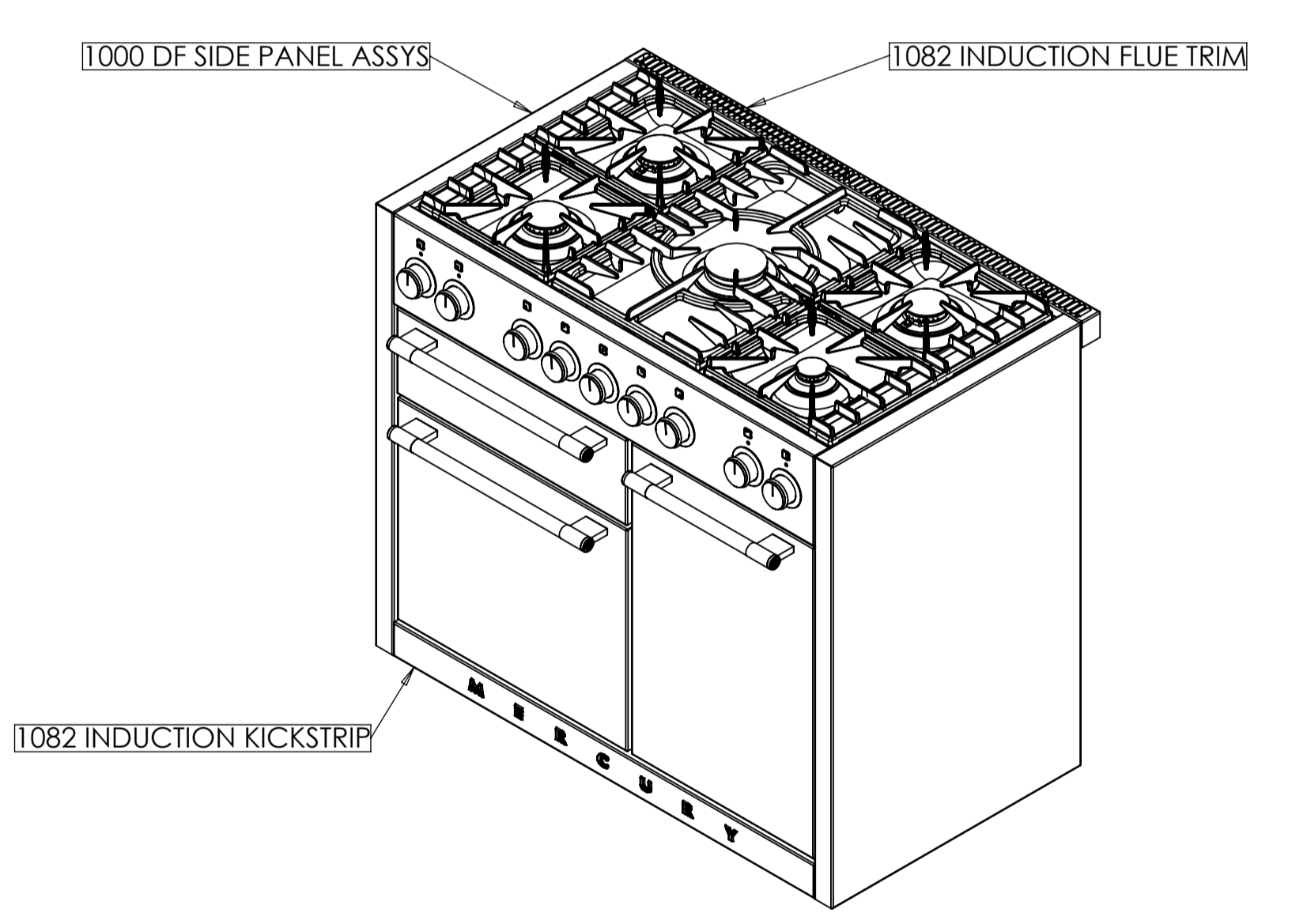
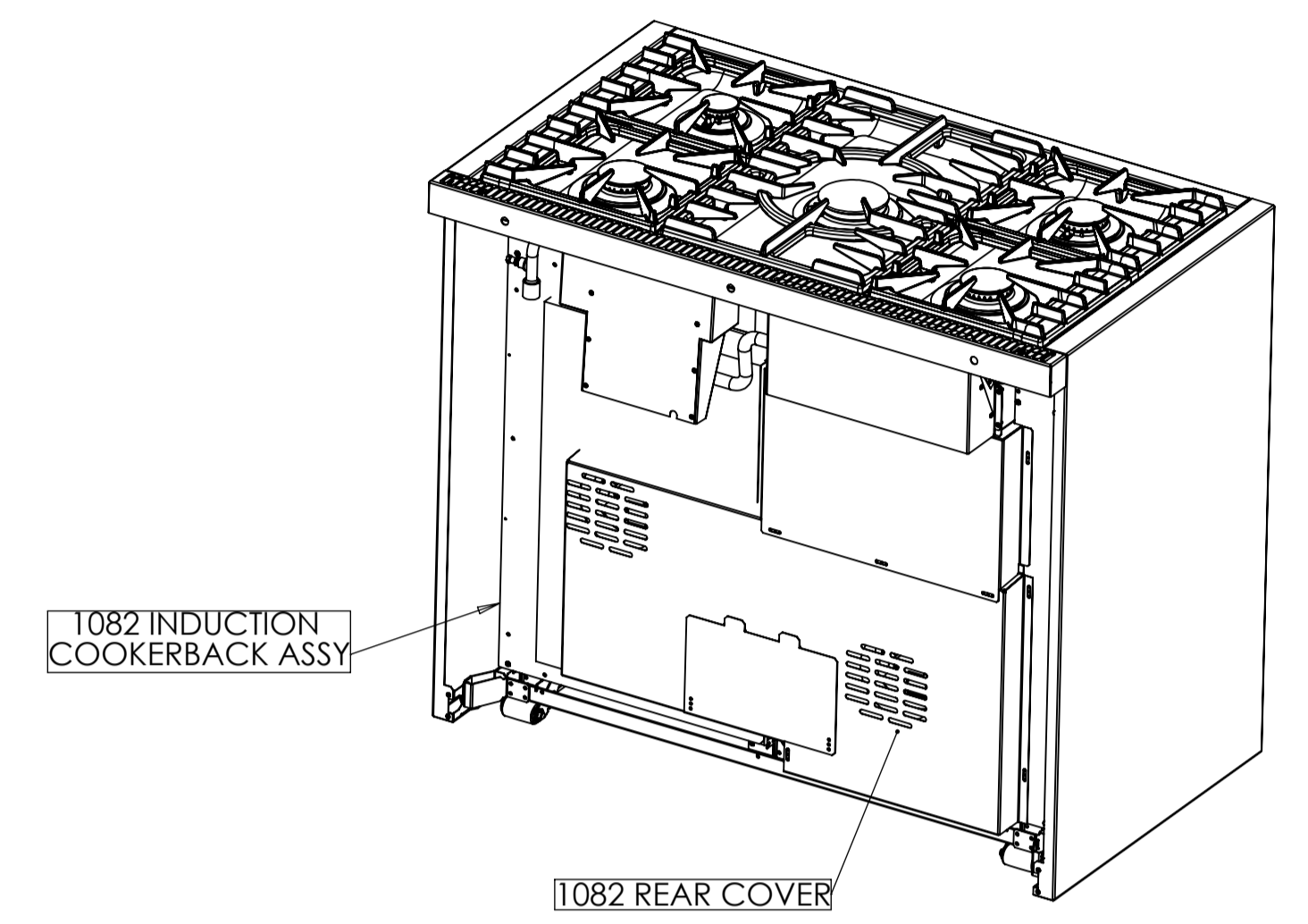
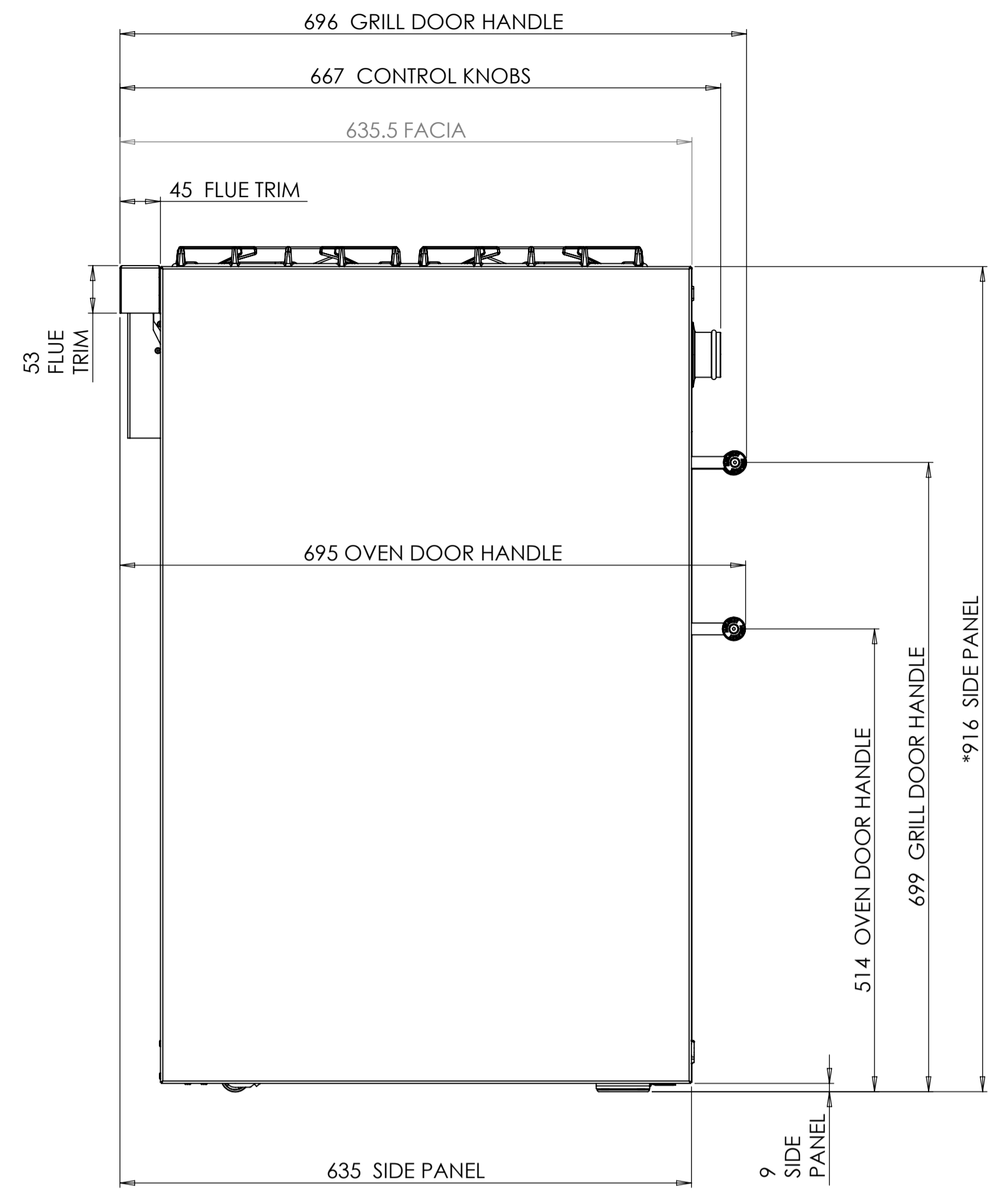
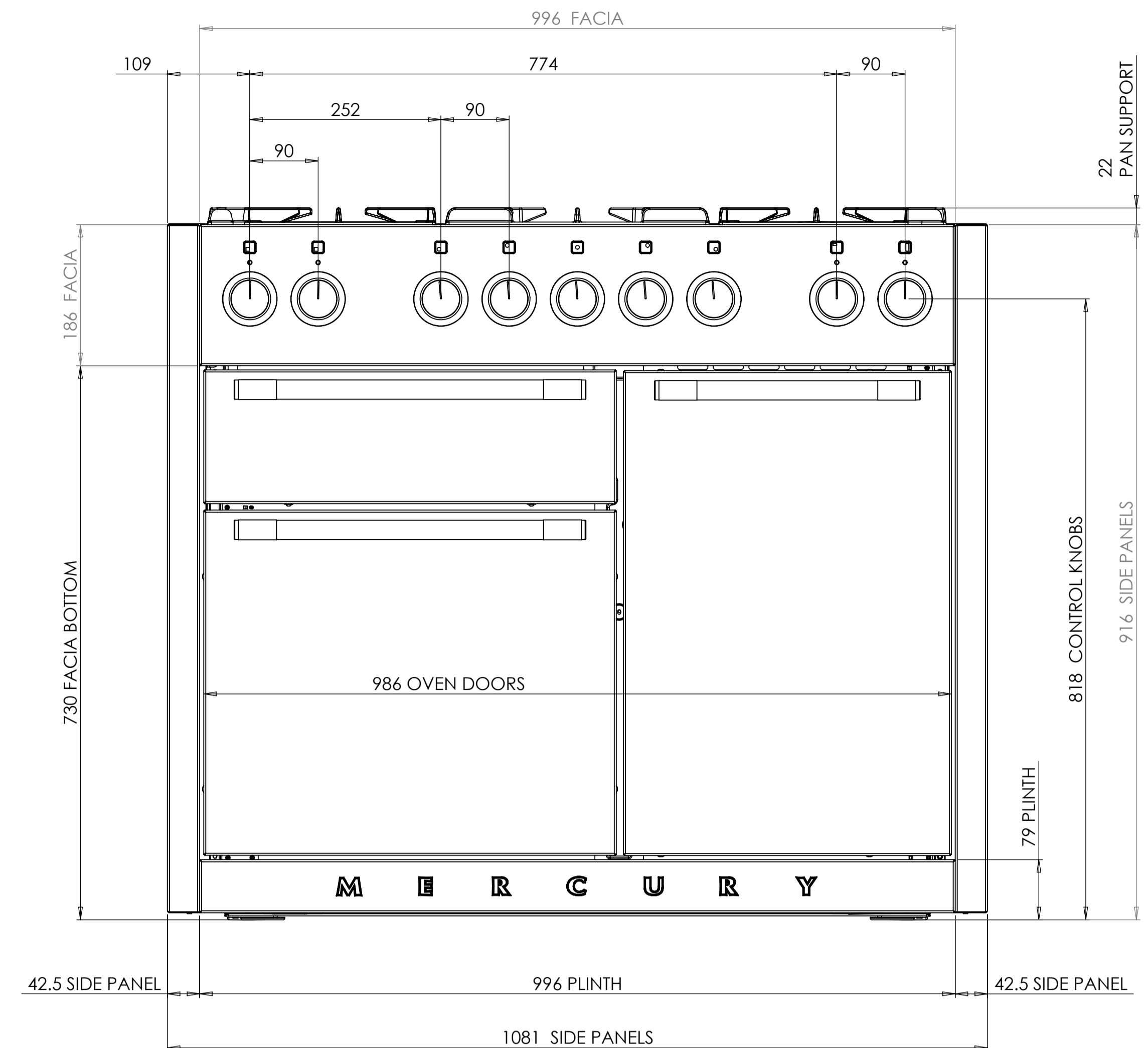
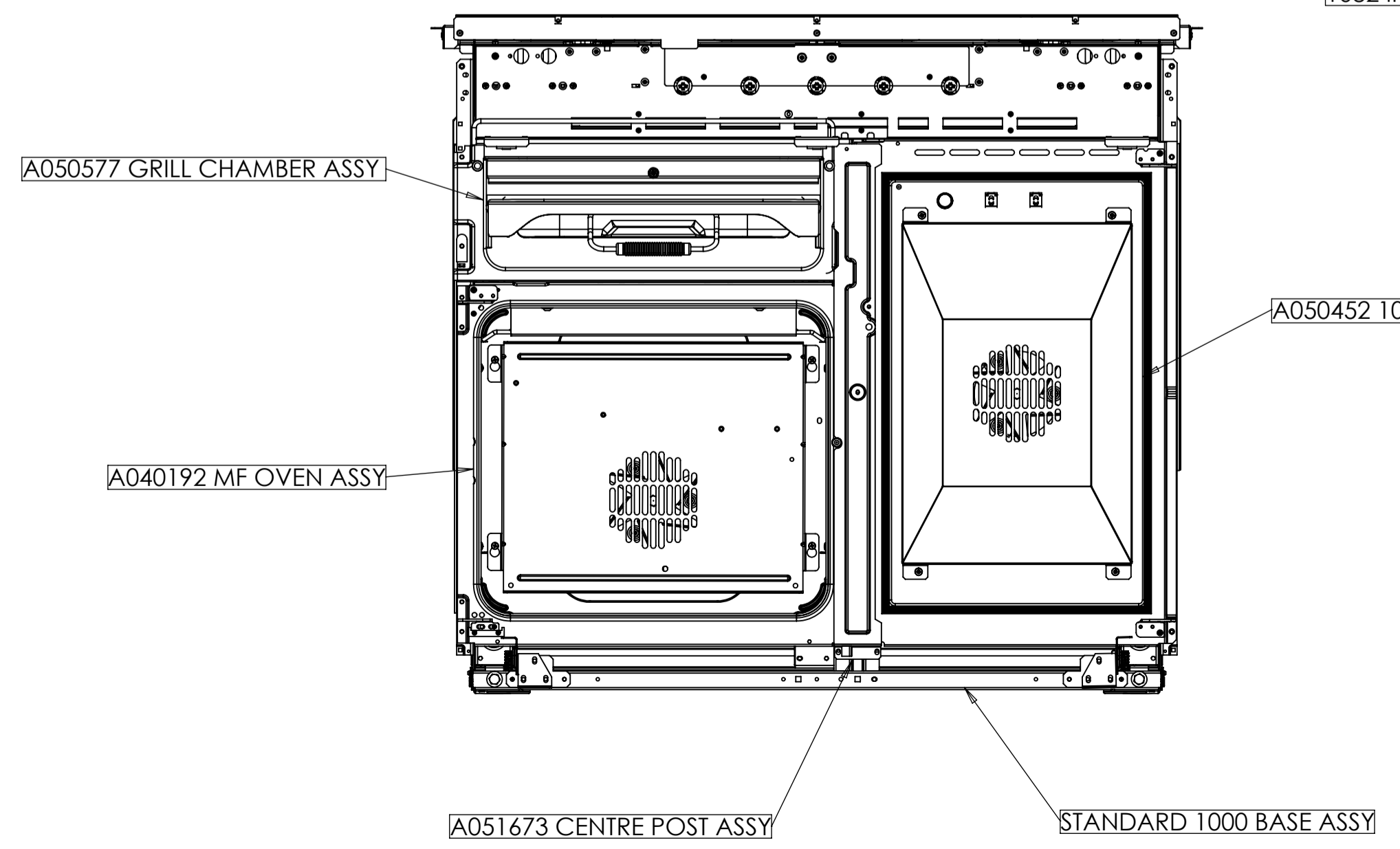
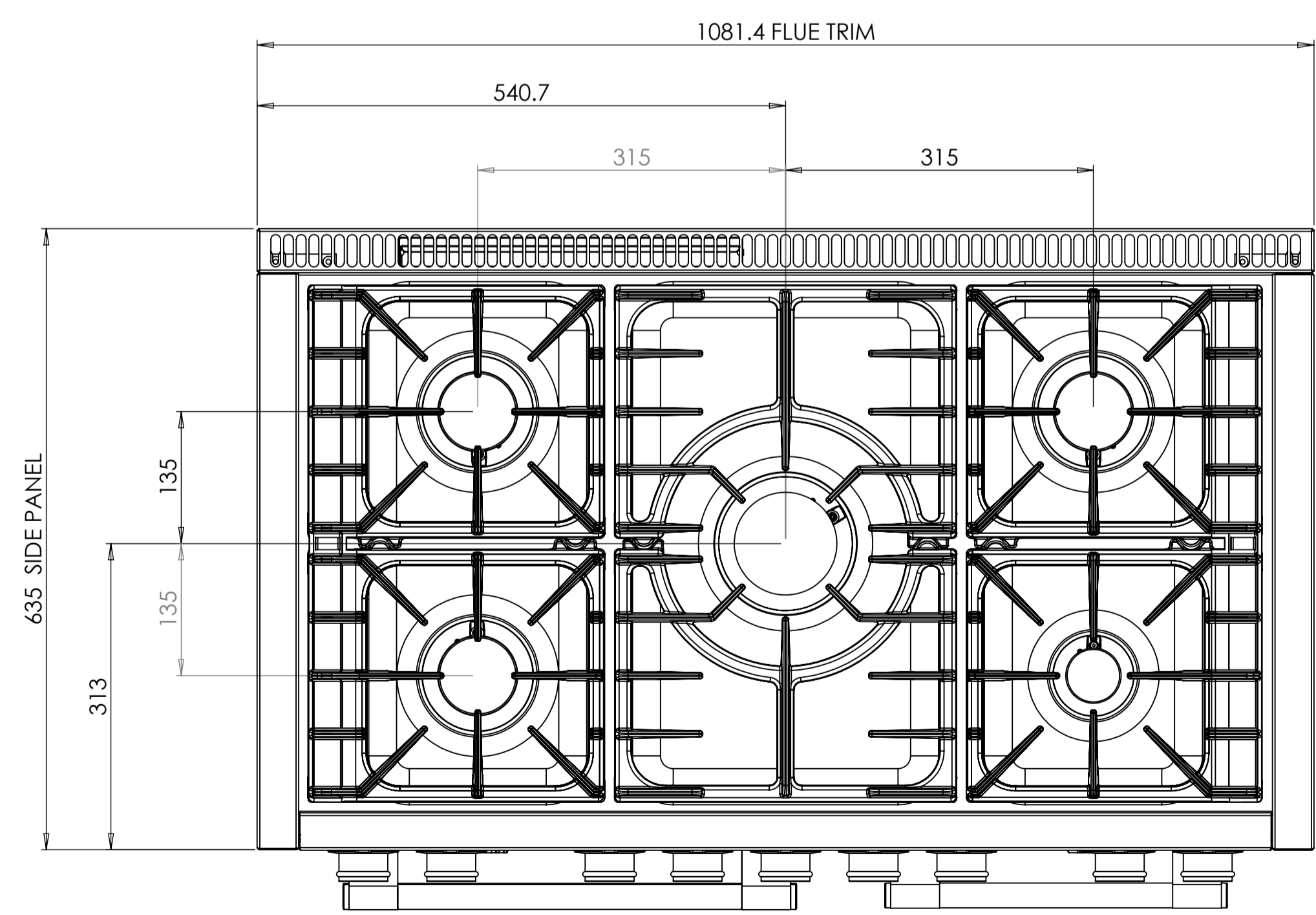


6	
ISSUE No & DATE	DETAILS OF CHANGE, MODIFICATION RECORD NUMBER, ECR NUMBER.
A 08.05.12	NEW DRAWING AWC
B 13.2.14	ADDITIONAL DIMENSIONS ADDED FOR MASTER SPEC. SHEET. TAB



- NOTES:**
1. ALL DIMENSIONS ARE NOMINAL & ROUNDED TO THE NEAREST WHOLE NUMBER, UNLESS SHOWN OTHERWISE.
  2. ALL HEIGHT DIMENSIONS ARE BASED ON THE COOKER BEING SET AT ITS LOWEST LEVEL (IE. \*916 DIMENSION), THEY WILL CHANGE ACCORDINGLY WITH THE AMOUNT OF HEIGHT ADJUSTMENT.
  3. FOR DOCUMENTATION PURPOSES THE COOKER IS HEIGHT ADJUSTABLE FROM 920 TO 945.
  4. THIS DRAWING IS FOR REFERENCE PURPOSES ONLY. A 'PDF' COPY OF THIS DRAWING FORMS PART OF THE 'APPLIANCE PRODUCT SPECIFICATION' HELD ON THE 'COMMON' DRIVE. CHANGES TO THIS DRAWING REQUIRE THE 'PDF' FILE TO BE UPDATED.



**RANGEmaster**  
An AGA Company  
Clarence Street, Royal Leamington Spa  
Warwickshire CV31 2AD, United Kingdom  
Telephone: 44 (0)1926 457400  
Direct Fax: 44 (0)1926 457611  
Web: www.rangemaster.co.uk

**DO NOT SCALE OR GUESS. IF IN DOUBT, ASK.**

ALL MACHINING TO BE FREE FROM BURRS.  
TOLERANCES UNLESS OTHERWISE STATED:-  
ANGULAR ±30° WHOLE NUMBERS ±0.5  
LINEAR DIMENSIONS ONE DECIMAL PLACE ±0.15  
CIRCULAR HOLES ±0.15  
CNC BEND RADI 1.25 -0  
CNC BEND ANGLES ±2°

ALL DIMENSIONS IN MILLIMETRES

A1 DRAWING BORDER CREATED  
19th APRIL 2002 BY JSANT

PROJECTION

THIS DRAWING IS THE PROPERTY OF RANGEMASTER AND REPRODUCTION IN WHOLE OR PART MAY NOT BE MADE WITHOUT THEIR WRITTEN CONSENT.			
DRAWN	AWC	PROJECT	ASSEMBLY
SCALE	1:10	9320	
<b>TITLE</b>			
MERCURY 1082DF 9320			
<b>PART NUMBER</b>			
c009320		SHEET 1 OF 1	