

ISSUE No & DATE	DETAILS OF CHANGE, MODIFICATION RECORD NUMBER, ECR NUMBER.
01 15.11.17	FOR REFERENCE ONLY - FOR PRODUCT ISSUE 01. MXXXXXX AWC

**Single Level Listing**

Assembly : A0011810	ELAN 90 DF BLK BU GB/IE	S.M. No. :
Issue : 01		Date : 15/11/2017

Ref Number	Part number	Revision	Description	Quantity	Remarks
001	A067000	01	CORE ASSY ELAN 90 DF	1	
002	Q0011810	01	DATA LABEL (P035648 - K004526)	1	
003	ID0011810	01	IDENT LABEL	2	
004	A063059	04	90 ACCESSORIES	1	
006	A067007	01	DOOR SET ELAN 90 DF BLK	1	
007	A040174	02	KITCH 90 MATT TOP SET - FSD	1	
008	A038986	08	CLASSIC DL 90 SHRINK WRAP PK	1	
009	A034472	01	INSTRUCTION PACK PRO DELUXE 90DF GB	1	
010	A067002	01	FACIA ASSY ELAN 90 DF BLK	1	
011	A067003	01	STYLING KIT ELAN 90 DF CHROME	1	
012	A064982	02	SIDE SET - DF	1	
016	A034839	02	90 MF DF LABEL KIT	1	
0800	E065187	01	OPTIONAL EXTRAS RM NEW BACK	0	

## ELAN MK2 90 DF BLK BU GB/IE 11810

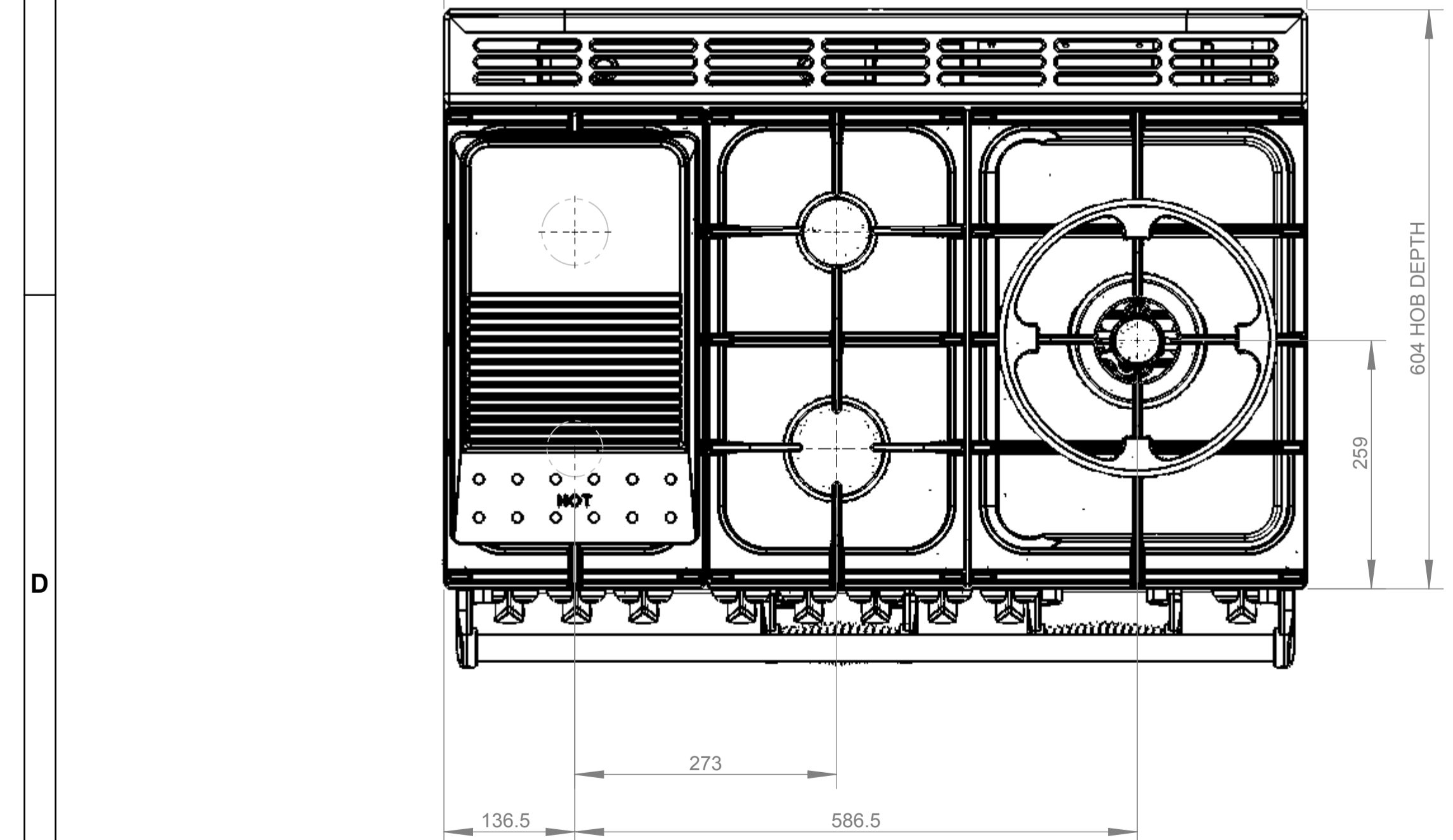
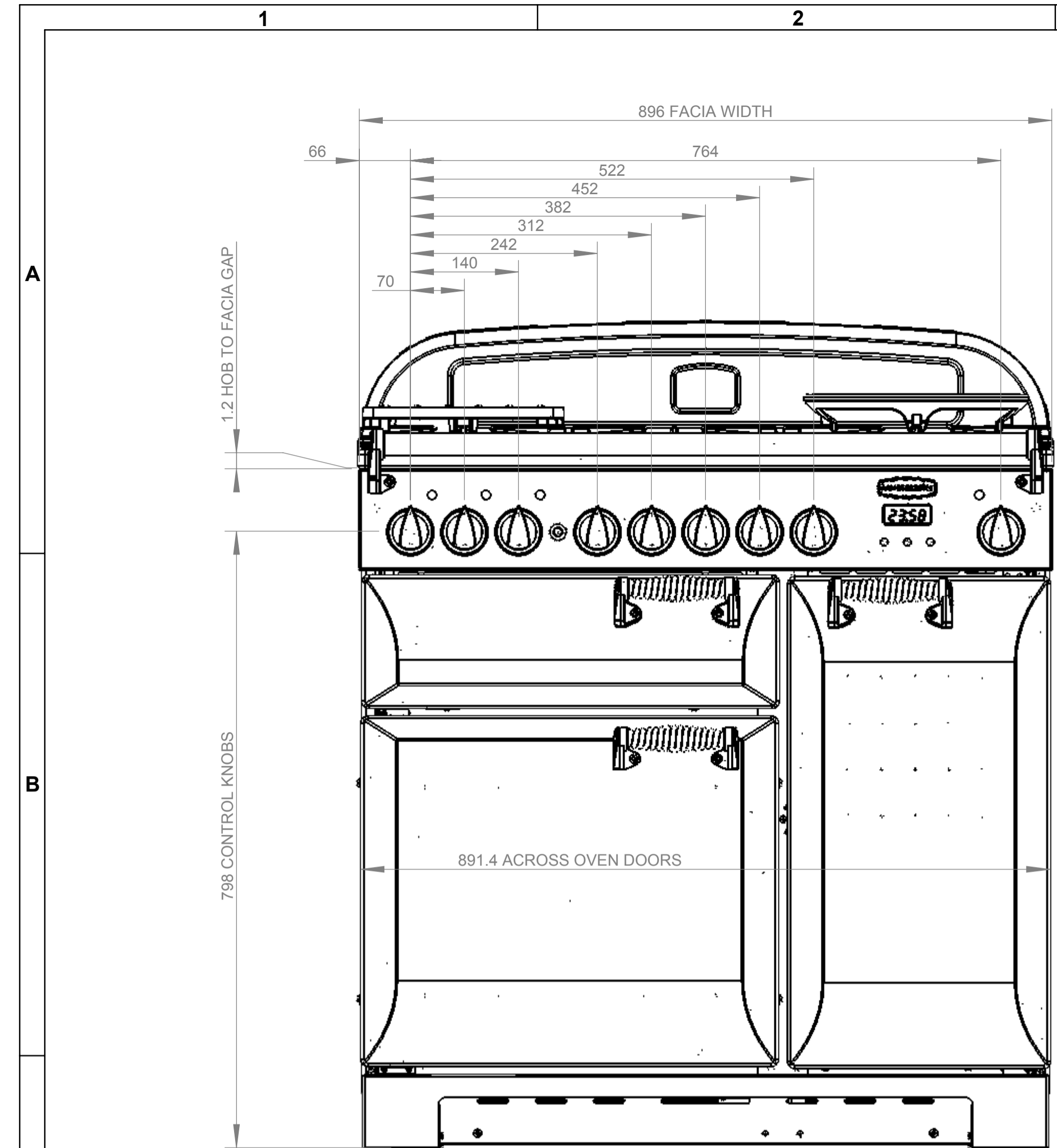
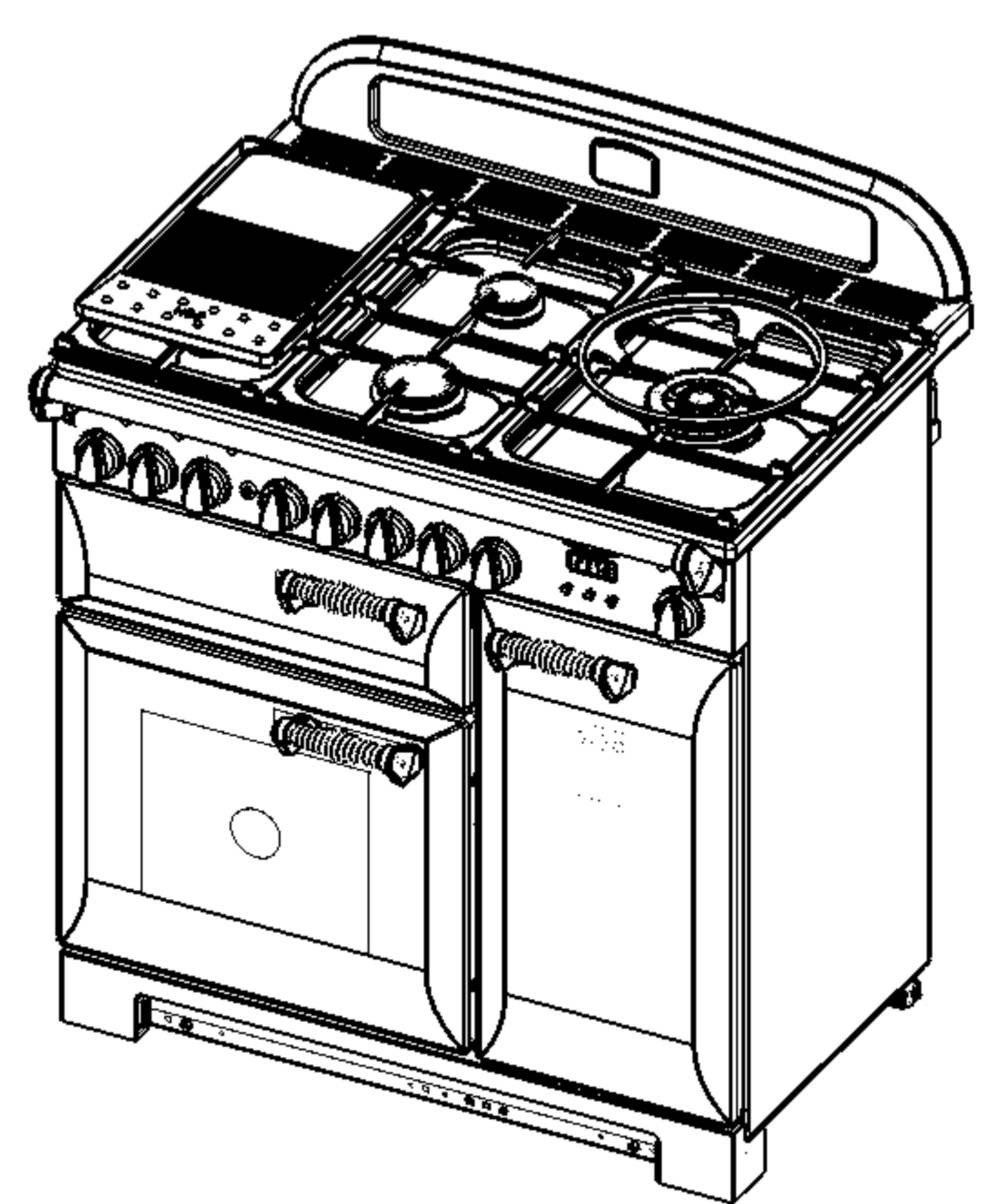
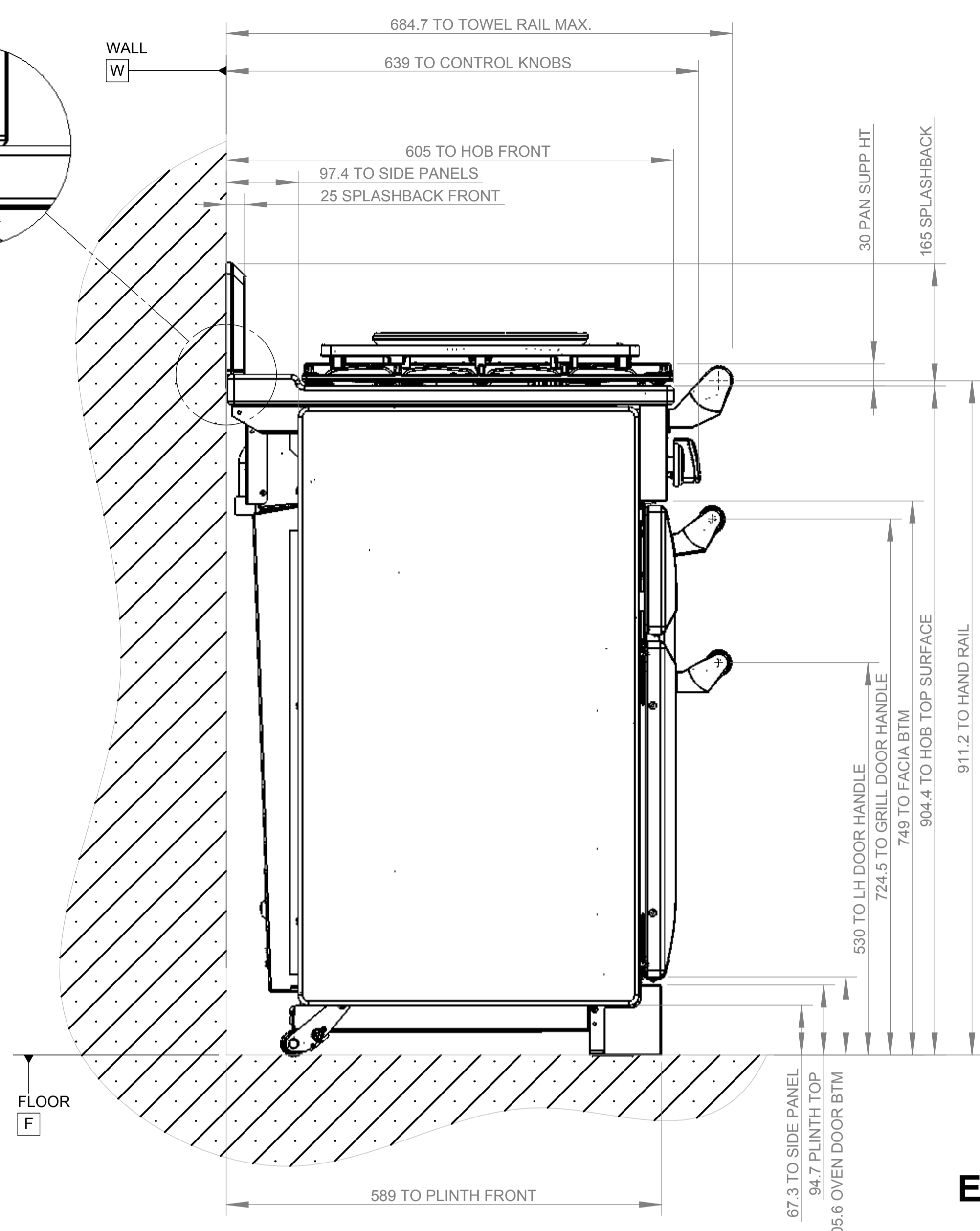
- NOTES:**
1. ALL DIMENSIONS ARE NOMINAL & ROUNDED TO THE NEAREST WHOLE NUMBER, UNLESS SHOWN OTHERWISE.
  2. ALL HEIGHT DIMENSIONS ARE BASED ON THE COOKER BEING SET AT ITS LOWEST LEVEL (IE. \*904.4 DIMENSION), THEY WILL CHANGE ACCORDINGLY WITH THE AMOUNT OF HEIGHT ADJUSTMENT.
  3. FOR DOCUMENTATION PURPOSES THE COOKER IS HEIGHT ADJUSTABLE AS DETAILED IN OBP.
  4. THIS DRAWING IS FOR REFERENCE PURPOSES ONLY. A 'PDF' COPY OF THIS DRAWING FORMS PART OF THE 'APPLIANCE PRODUCT SPECIFICATION' HELD ON THE 'COMMON' DRIVE. CHANGES TO THIS DRAWING REQUIRE THE 'PDF' FILE TO BE UPDATED.

THIS DRAWING IS THE PROPERTY OF RANGEMASTER AND REPRODUCTION IN WHOLE OR PART MAY NOT BE MADE WITHOUT THEIR WRITTEN CONSENT.			
DRAWN	AWC	PROJECT	ASSEMBLY
SCALE	1:10	11810	
<b>TITLE</b>			
ELAN 90 DF BLK GB_IE			
<b>PART NUMBER</b>			
A0011810		SHEET 1 OF 1	

MATERIAL AND FINISH SPECIFICATION

MATERIAL: SEE BOMS

FINISH: SEE BOMS



**AGA RANGEmaster**

Clarence Street, Royal Leamington Spa  
Warwickshire CV31 2AD, United Kingdom  
Telephone: 44 (0)1926 457400  
Direct Fax: 44 (0)1926 457611  
Web: www.agarangemaster.co.uk

**DO NOT SCALE OR GUESS. IF IN DOUBT, ASK. ALL MATERIALS MUST COMPLY WITH RoHS & REACH**

ALL MACHINING TO BE FREE FROM BURRS.  
TOLERANCES UNLESS OTHERWISE STATED:-  
ANGULAR ±30°      WHOLE NUMBERS ±0.5  
LINEAR DIMENSIONS      ONE DECIMAL PLACE ±0.15  
CIRCULAR HOLES ±0.15

CNC BEND RADI  $1.25 \pm 0$   
CNC BEND ANGLES ±2°

ALL DIMENSIONS IN MILLIMETRES

A1 DRAWING BORDER CREATED 01/08/2012 BY D.J.B.