

# Single DishDrawer™ Dishwasher, Tall

Series 7 | Contemporary

Stainless Steel

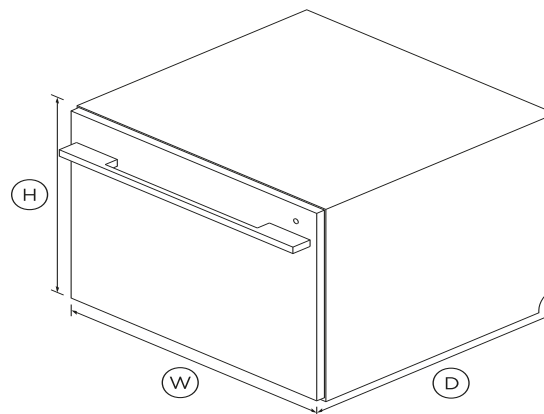


This DishDrawer™ has extra height for large dishes and is designed to be placed anywhere in your kitchen, for loading dishes with less bending.

- With extra height for taller dishes, and customisable internal shelving
- Six wash programs, as well as additional Quick wash, Sanitise and Extra Dry options

## DIMENSIONS

Height	478 mm
Width	599 mm
Depth	573 mm



## FEATURES & BENEFITS

### Ease of use

DishDrawer™ Dishwashers are as easy to open and close as kitchen drawers and can be conveniently positioned at bench height for ease of loading and minimal bending. Flexible racking allows you to make adjustments to fit in a variety of dishes.

### Quick, Sanitise and Extra Dry options

The Quick wash modifier delivers a faster wash while maintaining performance. The Sanitise option provides extra protection killing 99.9% of bacteria in the final rinse. The Extra Dry setting is

perfect for plastic dishes.

## SPECIFICATIONS

### Accessories

Contemporary round handle kit	Part number 81645
Cutlery basket	•
Knife clip and multipurpose	•

### Capacity and Loading

Accommodates round plates	310mm
Adjustable height, foldable	•
Fold down tines	•
Pitch adjustable tines	•
Place settings	6

### Consumption

Drying rating	A
Energy rating	A++
Energy usage	152kWh/year
Water usage	2184 litres per annum

### Controls

Child lock	•
Electronic fault/Diagnostic	•
End of cycle beeps	•
Energy saving delay start	•
Internal wash selector	•
Rinse aid indicator light	•

**Features**

- Built-in water softener •
- Fan assisted drying •
- Flow through detergent •
- Quiet operation •
- SmartDrive™ technology •

**Performance**

Noise on standard cycle top **45dBA**

**Power requirements**

Amperage **4.2A**

**Product dimensions**

Depth **573 mm**  
 Height **478 mm**  
 Width **599 mm**

**Warranty**

Parts and labour **5 years**

**Wash Programs**

- Delicate •
- Eco •
- Extra Dry •
- Fast •
- Heavy •
- Medium •
- Number of wash programs **15**
- Quick •

- Rinse •
- Sanitise •
- Sanitise •
- Wash modifiers **3**






**Water connection**

Water pressure **0.1 Mpa - 1 Mpa**

SKU **81259**

The product dimensions and specifications in this page apply to the specific product and model. Under our policy of continuous improvement, these dimensions and specifications may change at any time. You should therefore check with Fisher & Paykel's Customer Care Centre to ensure this page correctly describes the model currently available. Â© Fisher & Paykel Appliances Ltd 2019.

**Other product downloads available at fisherpaykel.com**

-  [User Guide](#)
-  [Quick Start Guide](#)
-  [Service & Warranty Booklet](#)
-  [Installation Guide](#)
-  [Resources \(zip\)](#)



**A PEACE OF MIND SALE**  
**24 Hours 7 Days a Week Customer Support**  
**T 1300 650 590 W www.fisherpaykel.com**